

# 100kW Smart Photovoltaic Energy Storage Container for Farms



## 100kW Smart Photovoltaic Energy Storage Container for Farms

---



### 100kW/215kWh LiFePO4 BESS Container , Industrial Solar Storage

...

All-in-One Energy Solution: Integrated PV panels, battery storage, and EV charger for commercial, and industrial use.  
Smart Energy Management: Built-in EMS for self-consumption optimization and ...

[Learn More](#)

---

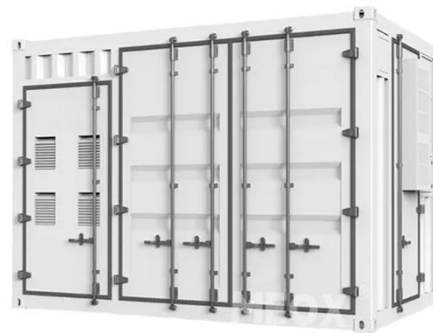
### 20ft Mobile Solar Container 100KW , High-Efficiency Grid-Tied PV

Powered by premium 610W panels, the 100KW Mobile Solar Container from HighJoule delivers maximum energy density in a compact 20ft format. It's optimized for grid-tied setups requiring

...

[Learn More](#)

---



### 100KW BATTERY STORAGE CONTAINER , FTMRS SOLAR

FTMRS SOLAR specializes in photovoltaic power generation, solar energy systems, lithium battery storage, photovoltaic containers, BESS systems, commercial storage, industrial storage, PV ...

[Learn More](#)

---

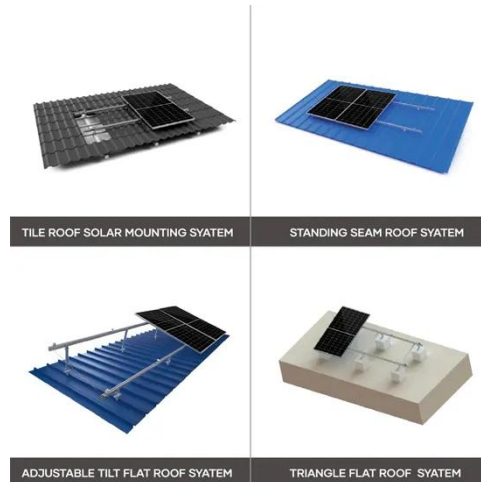


### Sunpal Battery Energy Storage

## Container 100KW 150KW 100KWh Pv ...

The battery energy storage system (BESS) containers are based on a modular design. They can be configured to match the required power and capacity requirements of client's application. Technical ...

[Learn More](#)



## Highest Safety 100kw 60kwh 225kwh Battery Energy Storage ...

Highest Safety 100kw 60kwh 225kwh Battery Energy Storage System Lithium Battery Bess Container for Solar Farm US\$20,927.00 1-4 Pieces

[Learn More](#)

## Mobile Solar PV Container , Portable Solar Power Solutions

High-efficiency Mobile Solar PV Container with foldable solar panels, advanced lithium battery storage (100-500kWh) and smart energy management. Ideal for remote areas, emergency rescue and ...

[Learn More](#)



## Solar Container , Large Mobile Solar Power Systems

LZY container specializes in foldable PV container systems, combining R& D, smart manufacturing, and global sales. Headquartered in Shanghai with

50,000m<sup>2</sup>+ production bases ...

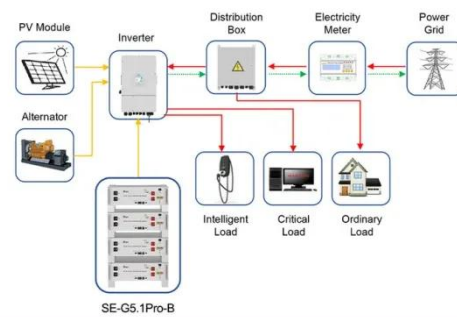
[Learn More](#)



### Sunway Intelligent liquid-cooled 100kW 261kWh Outdoor Cabinet Energy

Product Datasheet Download Experience enhanced performance and smart thermal management with the Sunway 100kW/261kWh Liquid-Cooled Energy Storage System. Engineered for high-capacity ...

[Learn More](#)



Application scenarios of energy storage battery products



### PV Battery Outdoor Container Corey Solar Power System 100kw Storage

Its microgrid solutions integrate distributed energy resources, such as solar PV, wind, and energy storage, to create resilient and self-sufficient power networks ideal for remote communities, ...

[Learn More](#)

### Elecod 100kW/215kWh ESS project for farm photovoltaic storage ...

The 100kW/215kWh energy storage

system efficiently utilizes photovoltaic power generation for charging and energy storage during sunny days to meet the challenge of frequent grid outages. The built-in ...

[Learn More](#)



---

## Contact Us

---

For catalog requests, pricing, or partnerships, please visit:  
<https://v4venison.co.za>

