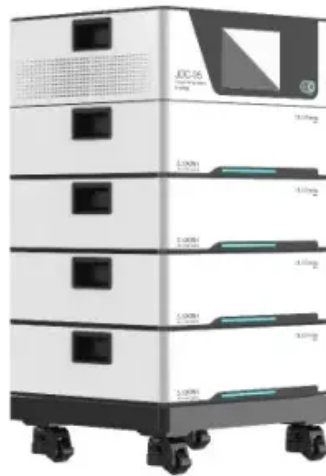


10MWh Solar Container Container in Khartoum for Drone Station



10MWh Solar Container Container in Khartoum for Drone Station

KHARTOUM ENERGY STORAGE CONTAINER TRANSPORT



What is a containerized energy storage system? The Containerized energy storage system refers to large lithium energy storage systems installed in sturdy, portable shipping containers, which usually ...

[Learn More](#)

60kW photovoltaic folding container used in Khartoum for ...

The folding solar photovoltaic container developed by the Huijue Group represents a pioneering, flexible, and effective solution in energy provision. Besides meeting the demand of energy ...



[Learn More](#)

Energy Storage Equipment, Energy storage solutions, Lithium battery



IP65/IP55 OUTDOOR CABINET

OUTDOOR MODULE CABINET

OUTDOOR 5G BASE STATION CABINET

WATERPROOF

Huijue Group's Home Energy Storage Solution integrates advanced lithium battery technology with solar systems. Ranging from 5kWh to 20kWh, it caters to households of varying sizes.

[Learn More](#)

Khartoum Energy Storage Container

Powering Sudan s Energy Future

Enter the Khartoum Energy Storage Container - a modular, scalable system designed to store excess energy and deliver it when needed most. Think of it as a giant rechargeable battery for factories, ...



[Learn More](#)



10MWh Smart Photovoltaic Energy Storage Container for Unmanned ...

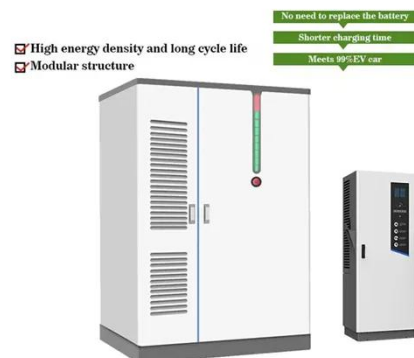
Welcome to our dedicated page for 10MWh Smart Photovoltaic Energy Storage Container for Unmanned Aerial Vehicle Stations! Here, we provide comprehensive information about large-scale ...

[Learn More](#)

KHARTOUM LITHIUM BATTERY ENERGY STORAGE , 1MK CONTAINERS

Explore our comprehensive solar photovoltaic solutions including mobile power stations, solar containers, solar inverters, and energy storage systems. Contact us for customized solar project ...

[Learn More](#)



KHARTOUM DISTRIBUTED ENERGY STORAGE SYSTEM COSTS

We are committed to excellence in solar



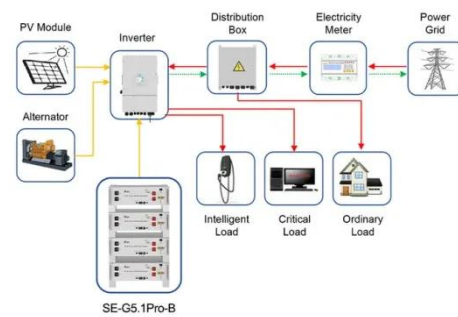
container and energy storage solutions. With complete control over our manufacturing process, we ensure the highest quality standards in every solar container ...

[Learn More](#)

LARGE SCALE ENERGY STORAGE POWER STATION PROJECT KHARTOUM

Emerging markets in Africa and Latin America are adopting mobile container solutions for rapid electrification, with typical payback periods of 3-5 years. Major projects now deploy clusters of 20+ ...

[Learn More](#)



Application scenarios of energy storage battery products

Khartoum Solar Container Scalable

Customize your container according to various configurations, power outputs, and storage capacity according to your needs. Lower your environmental impact and achieve sustainability objectives by ...

[Learn More](#)

Khartoum Energy Storage Containers: Powering Industries with ...

Khartoum's energy storage containers

offer adaptable solutions for industries transitioning to sustainable power. With proper selection and deployment, businesses can achieve energy independence while ...

[Learn More](#)



Contact Us

For catalog requests, pricing, or partnerships, please visit:
<https://v4venison.co.za>

