

# 10kW Intelligent Photovoltaic Energy Storage Battery Cabinet for Mining



## 10kW Intelligent Photovoltaic Energy Storage Battery Cabinet for M



### 10kW Hybrid Battery Energy Storage System , BlueDM

Combining intelligent battery storage with integrated gensets and optional solar input, it delivers the perfect balance between reliability and emission reduction. The Battery Box Hybrid is a flexible, ...

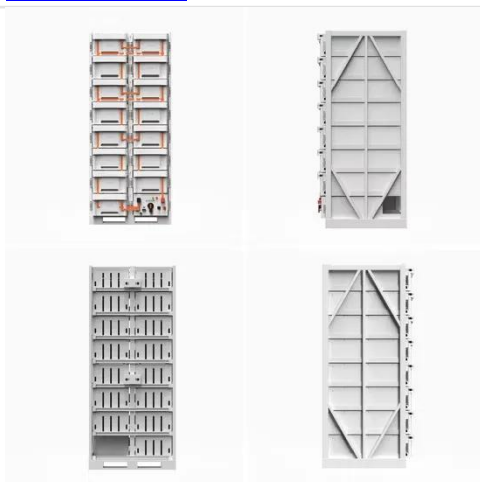
[Learn More](#)

### 10KW Power 10kWh Lithium Battery IP65 Integrated Energy Storage ...

It features exceptional energy compatibility, seamlessly integrating grid power, photovoltaic power, wind power, and diesel generators. Its smart algorithm proactively mitigates voltage fluctuations and optimizes ...



[Learn More](#)



### 10kW Stackable All-in-One Solar ESS , 15-64kWh Modular , 6,000-Cycle

Meet the future of plug-and-play energy storage: Our integrated 10kW hybrid inverter with modular LiFePO4 batteries delivers industrial power in a stackable, infinitely expandable format. Engineered for homes, farms, ...

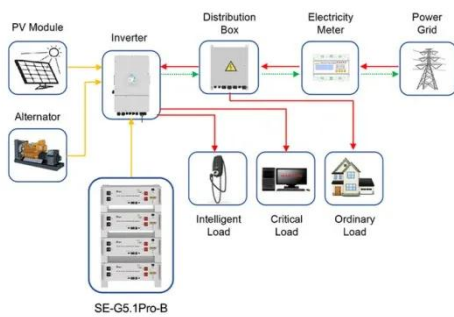
[Learn More](#)

## 10kW Solar system with 10kWh Lithium-ion Battery Storage

This comprehensive system includes top-of-the-line solar panels, a robust mounting structure, an advanced charge controller, a high-capacity inverter, and our cutting-edge lithium-ion battery storage ...



[Learn More](#)



Application scenarios of energy storage battery products

## 10kW Portable Energy Storage: Powering Flexibility Across Industries

That's what modern 10kW portable energy storage units deliver. These systems combine lithium-ion batteries, smart inverters, and rugged designs to serve industries where traditional grid power falls short.

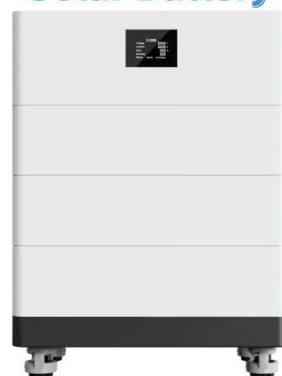
[Learn More](#)

## EK Photovoltaic Micro Station Energy Cabinet

EK photovoltaic micro-station energy cabinet is an integrated intelligent energy storage device designed for distributed energy scenarios, providing 10-50kWh multiple capacity options (models: EK-Micro-10 ...

[Learn More](#)

## High Voltage Solar Battery



## 10 KWh Battery Guide 2025: Best Systems, Costs & Expert Reviews

When combined with solar energy



storage systems, 10 kWh batteries can store excess solar production during the day for use during evening peak hours, maximizing both energy independence and cost ...

[Learn More](#)

### **TonKor OneBox 10K10 Off Grid 10kW 10kWh Solar Battery Storage**

...

It integrates a 10kW off-grid inverter, a 10kWh LiFePO4 battery, and a smart distribution unit into one compact cabinet. With support for solar panel charging and AC grid input, the system is ideal for powering medium to ...

[Learn More](#)



### **I& C Energy Storage Solution**

As a professional manufacturer in China, produces both energy storage cabinets and battery cell in-house, ensuring full quality control across the entire production process.

[Learn More](#)



### **Integrated Energy Storage Cabinet**

The Cabinet offers flexible installation, built-in safety systems, intelligent control, and efficient operation. It

features robust lithium iron phosphate (LiFePO4) batteries with scalable capacities, supporting on ...

[Learn More](#)



---

## Contact Us

For catalog requests, pricing, or partnerships, please visit:  
<https://v4venison.co.za>

