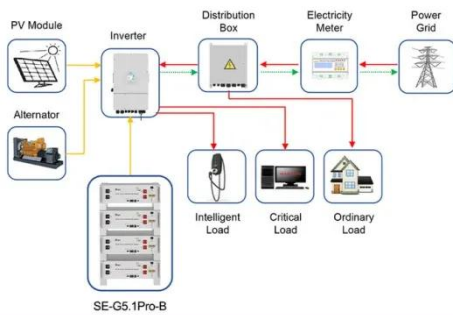


1MWh Intelligent Photovoltaic Energy Storage Unit for Oil Platforms



Our containerised energy storage system (BESS) is the perfect solution for large-scale energy storage projects. The energy storage containers can be used in the integration of various storage ...

[Learn More](#)



Application scenarios of energy storage battery products

Energy Storage System Products List , HUAWEI Smart PV Global

Energy Storage System Products List covers all Smart String ESS products, including LUNA2000, STS-6000K, JUPITER-9000K, Management System and other accessories product series.

[Learn More](#)

1 MW/ 1 MWh energy storage system

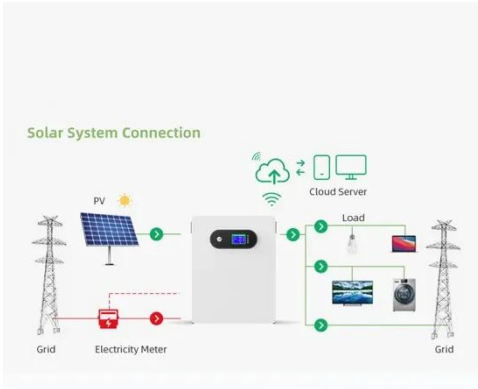
The battery unit uses sea-based 120 Ah batteries, the battery module adopts the 2P16 S combination method, and the battery cluster adopts a 700-1500 V voltage system design scheme. The container ...

[Learn More](#)



Container Energy Storage System 1MWh-2MWh With Isolation ...

Prostar PESS C& I series container energy storage system offers scalable 1MWh-2MWh capacities within a 20-foot



high-density design, integrating isolation transformers to ensure grid stability and ...

[Learn More](#)

1MWh Energy Storage System

In the pursuit of a sustainable future, the 1MWh energy storage system has emerged as a crucial technological innovation. This system plays a vital role in addressing the challenges ...

[Learn More](#)



1MWh battery storage container

Housed in a standard 20-foot container, the 1 MWh BESS offers exceptional power density in a space-efficient design. Whether deployed at a solar or wind farm, commercial facility, or remote construction ...

[Learn More](#)

SolaX 1MWh Energy Storage System: Simplest, Smartest C& I ...

SolaX launches a compact 1MWh / 500kW integrated energy storage system for C& I applications, combining AI optimization, zero-ms switching, and

fast deployment.

[Learn More](#)



Contact Us

For catalog requests, pricing, or partnerships, please visit:
<https://v4venison.co.za>

