

350kW solar-powered container in Bahrain used for research station



350kW solar-powered container in Bahrain used for research station



Manama Energy Storage: Powering Bahrain's Future with Innovation

Ever wondered how a small nation like Bahrain is making big waves in the global energy storage scene? As the sun beats down on Manama's futuristic skyline, the city is quietly becoming a ...

[Learn More](#)

Energy company uses 350kW solar-powered container

Shipping container solar systems are transforming the way remote projects are powered. These innovative setups offer a sustainable, cost-effective solution for locations ...

[Learn More](#)



Manama Energy Storage Project Powering Bahrain's Renewable Future

As Bahrain positions itself as a renewable energy hub, the Manama energy storage project demonstrates how cutting-edge technology can turn sunshine into a reliable power source - even ...

[Learn More](#)

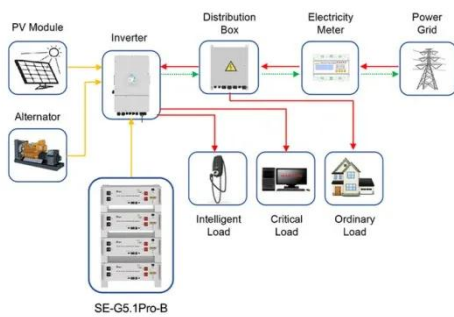


Top Bahrain Battery Energy Storage Container Manufacturers: ...

As Bahrain accelerates its renewable energy adoption, battery energy storage containers are emerging as game-changers. This article explores how specialized manufacturers in Bahrain are delivering ...



[Learn More](#)



Application scenarios of energy storage battery products

Bahrain Energy Storage Container Transport: Solutions for Renewable

Meta Description: Explore how Bahrain's energy storage container transport sector enables efficient renewable energy adoption. Learn about logistics challenges, safety protocols, and how companies ...

[Learn More](#)

Bahrain photovoltaic containerized system for agricultural irrigation ...

(PDF) Portable solar-powered irrigation control station into a This study explores the design and adaptation of a shipping container into a portable irrigation control station for agricultural operations.



[Learn More](#)

BUILDING INTEGRATED RENEWABLE ENERGY TO ACHIEVE ...

Technological advancements are dramatically improving solar storage



container performance while reducing costs. Next-generation thermal management systems maintain optimal operating ...

[Learn More](#)

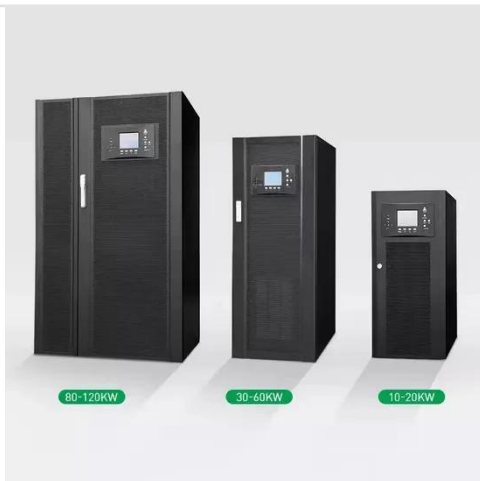
Bahrain Energy Storage Photovoltaic Power Station: A Blueprint for

The Bahrain Energy Storage Photovoltaic Power Station demonstrates how smart technology integration can unlock solar energy's full potential. As energy storage costs continue falling 15% annually, such

...



[Learn More](#)



BAHRAIN ENERGY STORAGE APPLICATIONS

Emerging markets in Africa and Latin America are adopting mobile container solutions for rapid electrification, with typical payback periods of 3-5 years. Major projects now deploy clusters of 20+ ...

[Learn More](#)

Bahrain's Energy Storage Revolution Powering the Future of

...

SunContainer Innovations - Discover how Bahrain is leveraging cutting-edge energy storage solutions to transform its power infrastructure and meet growing energy demands sustainably.

[Learn More](#)



Contact Us

For catalog requests, pricing, or partnerships, please visit:
<https://v4venison.co.za>

