

# 500 degree solar battery cabinet lithium battery pack



## 500 degree solar battery cabinet lithium battery pack

---



### Large Lithium Ion Battery Container 300KWH 500KWH 800KWH ...

Large-scale lithium battery energy storage systems, such as 500kwh, 1mwh, 2mwh, etc., usually store power when the power is surplus, and output the stored power to the grid through the inverter when ...

[Learn More](#)

---

### 500KW Battery

Exploring The 500Kw High-Capacity Battery Solution  
Varieties of 500Kw High-Capacity Battery Solutions  
Selecting A 500Kw High-Capacity Battery Solution  
High-Capacity 500Kw Battery Solutions on Alibaba  
Frequently Asked Questions on High-Capacity 500Kw Battery Solutions  
The 500kW High-Capacity Battery Solutions are sophisticated energy storage systems tailored to store and dispatch substantial electrical power. They are particularly beneficial for large-scale solar energy initiatives, electric vehicle fleets, and industrial operations. These systems are crafted to meet the surging demand for dependable, sustainable energy storage. See more on alibaba 4.9/5(144)



### Videos of 500 Degree Solar Battery Cabinet Lithium Battery Pack

Watch video15:19This Fits all my different Batteries. Sungold Power's Enclosed Server Rack Cabinet. Country View Solar - DIY Projects & Reviews8.4K views6 months agoWatch video55:01Discover Batteries, AES Rackmount and Outdoor cabinet test and review DavidPoz20.6K viewsWatch video9:42The Smartest Way to Store Your Batteries - EG4 BossBox ESS Enclosure The Solar Lab31.8K views3 months agoWatch full videovertiv

## **Vertiv(TM) EnergyCore, Lithium Ion Battery Cabinet**

Built with lithium-ion batteries, it offers longer performance and more cycles than VRLA batteries. With a fully loaded cabinet shipped to your location and no

...

[Learn More](#)

---



### **Energy Storage Bank 500kW 500V 1000AH**

The energy storage system consists of a battery pack, battery management ...

[Learn More](#)

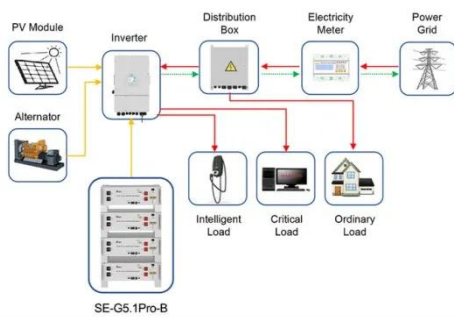
---

### **48v 500ah lifepo4 home solar energy storage bank 25kwh lithium battery pack**

Designed specifically for home solar

energy storage systems, the 25kWh battery pack is a highly efficient solution. It consists of 5 pieces of 48V 100Ah batteries, providing a total capacity of ...

[Learn More](#)



Application scenarios of energy storage battery products

### LiFePO4 Battery, Lithium Battery, energy storage, solar battery packs

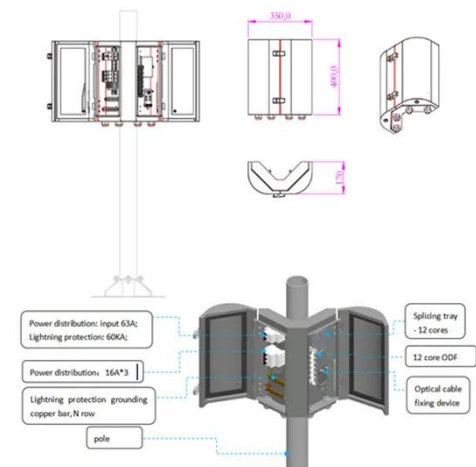
We provide 6 years warranty for all of our battery packs. DOD > 90% @ 25°C, Professional Aging test and battery matching ensure every battery cell in top level quality. CE, RoHS, MSDS, UN38.3, Safety ...

[Learn More](#)

### Solar Lithium Battery Storage Cabinet

The HOLDONE SolarPower Battery Cabinet is specifically designed to securely house and protect solar lithium battery systems, optimizing energy storage solutions for a wide array of applications.

[Learn More](#)



### 96v 500Ah High Voltage Llifepo4 Lithium Battery Storage Cabinets ...

Quick details of 96V 500Ah lithium



battery cabinet. 2. Specification of 48kWh solar ESS battery (@Battery initial Temp $25\pm 5$ ?) current, environment temperature, and charging/discharging current. ...

[Learn More](#)

## 500KW Battery

Discover 500kW battery systems for industrial energy storage, featuring lithium-ion and LiFePO4 technology, ideal for solar and backup power.

[Learn More](#)



**TAX FREE** 

**ENERGY STORAGE SYSTEM**

**Product Model**  
HJ-ESS-215A(100KW/215KWh)  
HJ-ESS-115A(50KW 115KWh)

**Dimensions**  
1600\*1280\*2200mm  
1600\*1200\*2000mm

**Rated Battery Capacity**  
215KWH/115KWH

**Battery Cooling Method**  
Air Cooled/Liquid Cooled



## 96v 500Ah High Voltage Llifepo4 Lithium Battery ...

Quick details of 96V 500Ah lithium battery cabinet. 2. Specification of 48kWh ...

[Learn More](#)



## BESS 500kwh 1MWh Container Battery Energy Storage System

It features a three-level battery management system that ensures robust protection against overcharging, over-discharging, and over-voltage. The

modular design enables easy expansion and ...

[Learn More](#)

114KWh ESS



### Solar Energy Lithium Battery and Inverter Storage Cabinet Solution

This advanced lithium iron phosphate (LiFePO4) battery pack offers a robust solution for various energy storage applications. The ESS solution is a highly integrated, all-in-one, C& I Hybrid energy storage ...

[Learn More](#)

### Vertiv(TM) EnergyCore, Lithium Ion Battery Cabinet

Built with lithium-ion batteries, it offers longer performance and more cycles than VRLA batteries. With a fully loaded cabinet shipped to your location and no onsite wiring needed, it saves on deployment ...

[Learn More](#)



### Energy Storage Bank 500kW 500V 1000AH , Energetech Solar

The energy storage system consists of a battery pack, battery management

## GRADE A BATTERY

LiFePO4 battery will not burn when overcharged, over discharged, overcurrent or short circuited and can withstand high temperatures without decomposition.



system (BMS), and battery charger. To discuss pricing and options, please, place an order and we will give you a call or give ...

[Learn More](#)

## Contact Us

---

For catalog requests, pricing, or partnerships, please visit:  
<https://v4venison.co.za>

