

Assembly of solar container lithium battery pack box



Assembly of solar container lithium battery pack box



How to Assemble a Battery Pack in 8 Easy Steps? [2025 Guide]

In this step-by-step guide, I'll walk you through the entire DIY battery pack assembly process to help you build a safe, high-performance battery.

[Learn More](#)

DIY LiFePO4 Battery Box: Building a Reliable and Efficient Solution

Build your own LiFePO4 battery box with our detailed DIY guide. Learn how to assemble and wire components, including LiFePO4 batteries and a Battery Management System (BMS).

[Learn More](#)

CE UN38.3 MSDS



How To Build A DIY Solar Battery Box

Fortunately, you can circumvent this costly investment by building your very own DIY plug-and-play solar battery box at a fraction of the price! The building process takes only 2 hours ...

[Learn More](#)



How to Build a Solar Battery Box: A Comprehensive Guide for Energy

Discover the ultimate guide to building your own solar battery box and harness the power of renewable energy! This article outlines the essential tools and materials you need, along with a ...

[Learn More](#)



Beginner-Friendly Tips for Assembling Lithium Battery Packs

Effective planning lays the foundation for a reliable lithium battery pack. You should start by defining the application requirements, such as voltage, capacity, and size constraints. A well ...

[Learn More](#)



Building A Simple Solar Battery Box

Power Queen Link: <https://ipowerqueen/?ref=nkvidqmc> 5% Discount Code: SAM
This is my step by step build of a very simple solar charging battery box using Power Queen's LifePo4 Lithium

[Learn More](#)



Complete Guide to Lithium Battery Pack Design and Assembly

It is a highly integrated and precise system project. It covers multiple steps, including cell selection, structural design, thermal management, and

safety protection. This guide will show you the ...

[Learn More](#)



How to Assemble a LiFePO4 Lithium Battery Pack for Solar Systems

Learn how to assemble LiFePO4 lithium battery packs for solar systems. Step-by-step guide for DIY, home, or commercial energy storage.

[Learn More](#)



Steps to Assemble a DIY Lithium Battery Kit

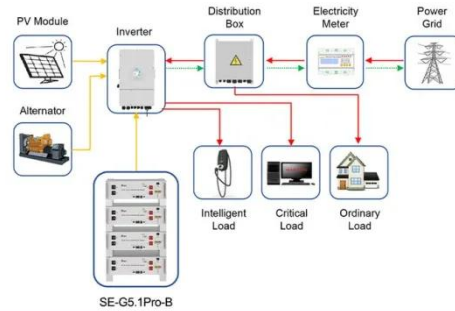
Whether for solar energy systems, electric vehicles, or other applications, a DIY battery can be a cost-effective and educational project. This comprehensive guide provides detailed steps to ...

[Learn More](#)

How To Build A DIY Solar Battery Box

Learn how to assemble LiFePO4 lithium battery packs for solar systems. Step-by-step guide for DIY, home, or commercial energy storage.

[Learn More](#)



Application scenarios of energy storage battery products



How to Build a Lithium Ion Battery Box: Essential Tips and Tricks

By understanding the essential components, choosing the right materials, and following best practices, you can create a reliable battery box for various applications, such as renewable energy storage or ...

[Learn More](#)

Contact Us

For catalog requests, pricing, or partnerships, please visit:
<https://v4venison.co.za>

