

# Brazil emergency communication base station battery



## Brazil emergency communication base station battery

---



### Brazil Communication Base Station Battery Market Size 2026 , Growth

The Brazil Communication Base Station Battery Market is growing differently across regions. North America and Europe are mature markets with strong innovation and stable regulations.

[Learn More](#)

### Communication Batteries: Why Telecom Base Stations Have Unique

...

The phrase "communication batteries" is often applied broadly, sometimes including handheld radios, emergency devices, or general-purpose backup batteries. In practice, when ...

[Learn More](#)



### Brazil Battery for Base Stations of Mobile Operators Market Size

- The Brazil Battery for Base Stations of Mobile Operators Market is projected to reach approximately USD 1.2 billion by 2030, with a compound annual growth rate (CAGR) of 8.5% (2024 ...

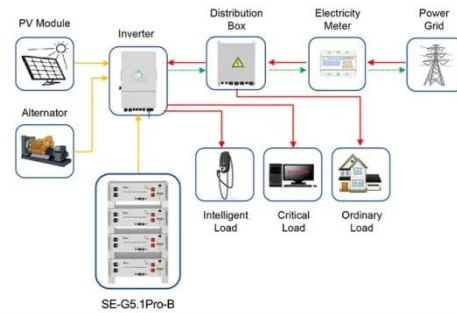
[Learn More](#)

## Reliable Energy Storage Batteries

## for Base Stations in São Paulo, Brazil

In São Paulo's fast-growing telecom sector, energy storage batteries are critical for ensuring uninterrupted connectivity. This article explores the best brands and technologies for base station ...

[Learn More](#)



Application scenarios of energy storage battery products



## Communication Base Station Battery Market Research Report 2035

By leveraging smart technology, companies can enhance predictive maintenance, thereby reducing downtime and operational costs for base stations. o Expand partnerships with telecom operators to ...

[Learn More](#)

## Brazil military communication base station energy storage system ...

The communication base station energy storage lithium battery market is experiencing robust growth, fueled by the increasing demand for reliable and efficient power

[Learn More](#)



## Brazil Battery for Communication Base Stations Market

Key trends in the Battery for Communication Base Stations Market



include the adoption of lithium-ion batteries, advancements in battery technology, and increasing focus on energy

[Learn More](#)

---

## Communication Base Station Energy Storage Battery Strategic Market

The Communication Base Station Energy Storage Battery market is experiencing robust growth, driven by the increasing demand for reliable and efficient power backup solutions in the ...

[Learn More](#)



---

## Global Communication Base Station Battery Trends: Region-Specific

Integrated base stations are typically larger and require higher capacity batteries, while distributed base stations, being smaller and more numerous, present different power needs.

[Learn More](#)

---

## Communication Base Station Battery Market Size, Share & Future

...

Communication Base Station Battery Market Size and Projections. In the year 2024, the Communication Base Station

Battery Market was valued at USD 2.5 billion and is expected to reach a size of USD ...

[Learn More](#)

### DETAILS AND PACKAGING



- 1 USER MANUAL PDF
- 2 RJ45 Cable For RS485/CAN
- 3 Battery in Parallel Cables
- 4 RJ45 TO USB Monitor Cable
- 5 M8 Terminal\*4

## Contact Us

For catalog requests, pricing, or partnerships, please visit:  
<https://v4venison.co.za>

