

Chile Data Center Rack 48V Operation Guide



Chile Data Center Rack 48V Operation Guide



Why Data Centers Are Moving to 48V Power , Bench Talk

The OCP Open Rack Version 3 (ORv3) can provide data centers with the opportunity to integrate 48V DC components and equipment into server farms and improve overall power and computing efficiency.

[Learn More](#)

DC power in the racks

Data centers adopted many things from telecoms, including the ubiquitous 19-inch rack. But even though electronics run on DC, data centers distribute power by AC. "We actually still see ...



[Learn More](#)



Open Rack Standard V2

The 48V power shelf designed to work on the 48V system shall meet the following requirements when operating under typical load conditions and with all ports fully loaded;

[Learn More](#)

What Is the Best Vacation

Destination in South America

With its glaciers, deserts, Polynesian culture, and one-of-a-kind scenic routes, Chile is the best destination in South America for your next vacation.

[Learn More](#)



OCP solution guide

When distributing power from a data center rack busbar to the individual IT gear such as a server, storage, or switch shelf, customers are now considering ORv3 IT Gear 48V input connector solutions ...

[Learn More](#)

Chile Travel

Site under maintenance - We are preparing your Chile Travel experience
 Site em manutenção - Estamos preparando sua experiência Chile Travel
 Site en maintenance - Nous préparons votre ...

[Learn More](#)

114KWh ESS



48V Data Center

Today's datacenters use an average of 3kW to 5kW per rack to power server, storage, and networking racks. Most are designed to power basic CPUs to operate at high levels of efficiency.

[Learn More](#)

Why 48V DC Power Distribution Demands Rack-Mounted Liquid ...

As AI and high-performance computing (HPC) reshape data center infrastructure, the shift toward 48V DC power distribution has become a game-changer--offering up to 20% higher ...

[Learn More](#)

Culture in Chile: a trip around its towns, museums and traditions

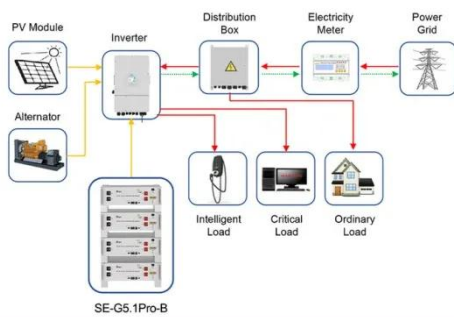
Chile is the home of seven places declared World Heritage sites by the UNESCO, in addition to an important variety of museums and different experiences led by our indigenous people, ...

[Learn More](#)

Santiago Capital

Santiago is the capital of Chile and a city with countless sights, attractions and services. Check out official tourist information here!

[Learn More](#)



Application scenarios of energy storage battery products

Exclusive Technology Feature

The goal is to balance cost and efficiency as deployments scale to the level of 13 million new servers installed in data centers every year. The principal driver in the evolution of 48-V power distribution in ...

[Learn More](#)

Entry and visa requirements

View entry requirements and ID documents. Find out if you need a Visa Chile to visit our country depending on your origin.

[Learn More](#)



OCP 48V Onboard Power Solution Requirements Version 1.0.0 ...

This document details the general feature requirements and operating characteristics of a 48V power solution for high-performance and high-density

48V rack applications.

[Learn More](#)



Presentation

Connecting the batteries directly to the DC bus solves this issue. It is the simplest and most reliable method to provide backup power, but it does require the whole common bus to follow the battery ...



[Learn More](#)



48V Data Center

Mpc22163-130 - Two-Phase Intelli-Module with Quiet Switchertm Technology
 Mpc22166-130 - Two-Phase Intelli-Module with Quiet Switchertm Technology
 Mpc22167 - 130A, Two-Phase, Intelli-Moduletm with Quiet Switchertm Technology
 The MPC22166 is a non-isolated, step-down power module with 130A of continuous peak output current. This module integrates driver MOSFETs and an inductor in a compact package to save layout space and achieve a higher power density. It is scalable for many modules in parallel, up to 2kW+ of power. The 4mm maximum height makes it suitable for many ap See

more on monolithicpower Missing:
Operation GuideMust include: Operation
Guide

Videos of Chile Data Center Rack 48V Operation Guide

Watch video1:16Power Distribution Units
, Data Center Rack Power Distribution
Units , VueNow VueNow Official4K
viewsWatch video2:01Eaton SmartRack
Modular Data Centers Eaton809
viewsWatch video2:28Modular Data
Center Manufacturing Plant Tour , Micro
& Mini DC INVT Power226.1K views2
months agoWatch full videoTE
Connectivity[PDF]

OCP solution guide - TE Connectivity

When distributing power from a data
center rack busbar to the individual IT
gear such as a server, storage, or switch
shelf, customers are now considering
ORv3 IT Gear 48V input connector ...

[Learn More](#)

RE SERIES SERVER RACK

Always lower the leveling feet of the rack
cabinet; Always install equipment
starting from the bottom of rack cabinet
to top; Always install the heaviest
equipment in the bottom of the rack ...

[Learn More](#)



Contact Us

For catalog requests, pricing, or partnerships, please visit:
<https://v4venison.co.za>

