

Cost Analysis of Off-Grid Solar Containerized Low-Pressure Type for Catering Industry



Overview

46kWp Solar PV-Battery Energy Storage System (BESS) project highlights the impact of key financial parameters, such as interest rates and inflation, on project returns. Explore the benefits and technology behind containerized off-grid solar. The case study of a 20. These turnkey solutions integrate solar panels, inverters, batteries, charge controllers, and monitoring systems into a single transportable unit that. NLR analyzes the total costs associated with installing photovoltaic (PV) systems for residential rooftop, commercial rooftop, and utility-scale ground-mount systems. This work has grown to include cost models for solar-plus-storage systems. NLR's PV cost benchmarking work uses a bottom-up. Solar panel prices have dropped 82% since 2010, while lithium-ion battery costs decreased 89% over the same period. In. As demand is rising around the world for off-grid power in far-flung, mobile, and emergency applications, people want to know how much does a solar container system cost?

Whether it's NGOs giving refugee camps electricity or construction firms seeking reliable power in undeveloped regions. In 2025, mobile solar container systems will offer a lower off-grid cost, making them more affordable than ever. Businesses are seeking energy independence now more than ever and want clear insight into their energy expenses. Off-grid solar systems cost an average of \$45,000-\$65,000. Read our guide to determine whether this expense is worth it for your home. Clicking "Get Your Estimate" submits your data to All Star Pros, which will process your data in accordance with the All Star Pros Privacy Policy.

Cost Analysis of Off-Grid Solar Containerized Low-Pressure Type for



Off-grid cost: solar container vs. diesel generators in 2025

In 2025, mobile solar container systems will offer a lower off-grid cost, making them more affordable than ever. They are also more practical and efficient compared to diesel generators.

[Learn More](#)

Off-grid Solar Containerized Unit Off-grid Cost Analysis

Explore the benefits and technology behind containerized off-grid solar storage systems. Learn how these scalable, cost-efficient solutions provide reliable power and energy independence for remote ...



[Learn More](#)

Guide to Off-Grid Solar System Costs (2026 Breakdown)

Off-grid solar systems cost \$ 45,000-\$65,000 on average. That's more than double the cost of a standard residential system. Below, we break down everything you need to know about ...



[Learn More](#)

Solar Installed System Cost Analysis

, Solar Market Research

U.S. Solar Photovoltaic System and Energy Storage Cost Benchmarks, With Minimum Sustainable Price Analysis: Q1 2022, NLR Technical Report (2022) Floating Photovoltaic System ...

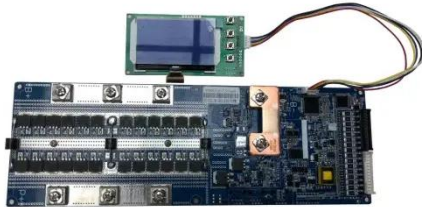
[Learn More](#)



How Much Does It Cost to Have a Solar Container System?

Wondering what a solar container system costs? Explore real-world price ranges, components, and examples to understand what impacts total cost--and if it's worth the investment.

[Learn More](#)



Off-Grid Solar Storage Systems: Containerized Solutions for ...

Explore the benefits and technology behind containerized off-grid solar storage systems. Learn how these scalable, cost-efficient solutions provide reliable power and energy independence for remote ...

[Learn More](#)



Solar Power Container: Complete Guide to Portable Solar Energy ...

Comprehensive guide to solar power containers covering system components, applications, sizing, installation, costs,



and benefits for off-grid power, emergency backup, and ...

[Learn More](#)

Container Energy Storage Off Grid Solar System Market

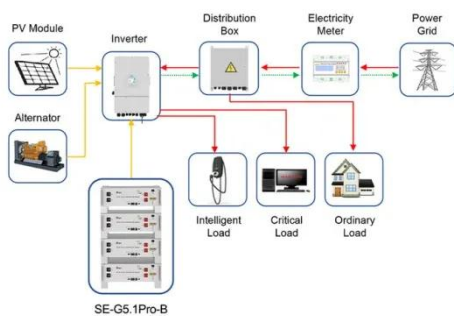
What are the key cost and operational barriers hindering widespread deployment of container-based off-grid solar storage systems? The adoption of container-based off-grid solar ...

[Learn More](#)

114KWh ESS



ISO 9001 ISO 14001 PICC RoHS CE MSDS UN38.3 UK CA IEC



Application scenarios of energy storage battery products

Lazard's Levelized Cost of Storage Analysis--Version 4

Here and throughout this presentation, unless otherwise indicated, analysis assumes a capital structure consisting of 20% debt at an 8% interest rate and 80% equity at a 12% cost of equity. Capital costs ...

[Learn More](#)

Off Grid Solar Container Power System Market Dynamics and Growth ...

Furthermore, technological advancements leading to improved

efficiency, reduced costs, and enhanced durability of solar container systems contribute to their growing popularity.

[Learn More](#)



Contact Us

For catalog requests, pricing, or partnerships, please visit:
<https://v4venison.co.za>

