

Cost of Grid-Connected Energy Storage Battery Cabinets for US Substations



Cost of Grid-Connected Energy Storage Battery Cabinets for US Sub



How much does the energy storage grid cabinet cost?

Investing in an energy storage grid cabinet can have profound long-term financial implications. While the initial investment may seem daunting, the potential for energy cost savings ...

[Learn More](#)

2022 Grid Energy Storage Technology Cost and Performance

...

Due to intra-annual uncertainty, the reported costs may have changed by the time this report was released. The cost estimates provided in the report are not intended to be exact numbers but reflect

...

[Learn More](#)



Battery Energy Storage Cabinet Cost: A 2025 Breakdown for ...

Let's cut to the chase: battery energy storage cabinet costs in 2025 range from \$25,000 to \$200,000+ - but why the massive spread? Whether you're powering a factory or stabilizing a solar ...

[Learn More](#)



The Real Cost of Commercial Battery Energy Storage in 2026: What ...

What factors influence the cost of commercial battery energy storage systems? Key factors influencing the cost include battery chemistry, system capacity, discharge duration, ...

[Learn More](#)



A 2025 Update on Utility-Scale Energy Storage Procurements

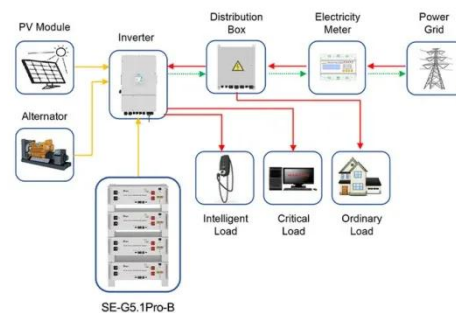
While the energy storage market continues to rapidly expand, fueled by record-low battery costs and robust policy support, challenges still loom on the horizon--tariffs, shifting tax incentives, ...

[Learn More](#)

Energy Storage Cost and Performance Database

DOE's Energy Storage Grand Challenge supports detailed cost and performance analysis for a variety of energy storage technologies to accelerate their development and deployment.

[Learn More](#)



Application scenarios of energy storage battery products

2022 Grid Energy Storage Technology Cost and Performance ...

The 2020 Cost and Performance Assessment provided installed costs for

six energy storage technologies: lithium-ion (Li-ion) batteries, lead-acid batteries, vanadium redox flow batteries, ...

[Learn More](#)



Utility-Scale Battery Storage , Electricity , 2024 , ATB , NLR

Battery cost and performance projections in the 2024 ATB are based on a literature review of 16 sources published in 2022 and 2023, as described by Cole and Karmakar (Cole and Karmakar, 2023). Three ...

[Learn More](#)



Cost Projections for Utility-Scale Battery Storage: 2025 Update

In this work we describe the development of cost and performance projections for utility-scale lithium-ion battery systems, with a focus on 4-hour duration systems. The projections are developed from an ...

[Learn More](#)

CE UN38.3 MSDS



Contact Us

For catalog requests, pricing, or partnerships, please visit:

<https://v4venison.co.za>

