

Disadvantages of thin-film solar curtain walls



Disadvantages of thin-film solar curtain walls



Thin-Film Solar Panels: What You Need to Know

Most thin-film products have shorter lifespans and lower efficiency levels than comparable conventional solar panels. Because of this, you'll generally need a larger amount of space to

[Learn More](#)

The Pros and Cons of Thin-Film Solar Panels

Compared to traditional solar panels, thin-film solar panels are cheaper to manufacture, require less material, and are easier to install. Additionally, their lightweight and flexible design makes them easier to transport, ...



[Learn More](#)



Thin Film Solar Cells Advantages and Disadvantages: An In-Depth

Discover the pros and cons of using thin film solar cells. Dive into an in-depth analysis of thin film solar cells advantages and disadvantages.

[Learn More](#)

Exploring Thin-Film Solar Panels:

Benefits and Drawbacks

Thin-film solar panels generally produce energy more effectively in low-light conditions, which can lead to consistent energy savings, particularly in less sunny regions. Furthermore, government incentives ...

[Learn More](#)



Solar Control Films vs Curtains/Blinds/Awnings: Advantages and

In this article, we will technically analyze the advantages and disadvantages of installing solar control films compared to curtains, blinds and awnings, considering factors such as effectiveness, energy efficiency, cost ...

[Learn More](#)

Advantages and Disadvantages of Thin-film Solar Panels

Discover the pros and cons of thin-film solar panels in our informative blog post. We'll explore the advantages, including their lightweight design and flexibility, as well as the drawbacks, such as lower efficiency and ...

[Learn More](#)



What Is the Disadvantage of a Thin Film Solar Panel

In this guide, we'll unpack the



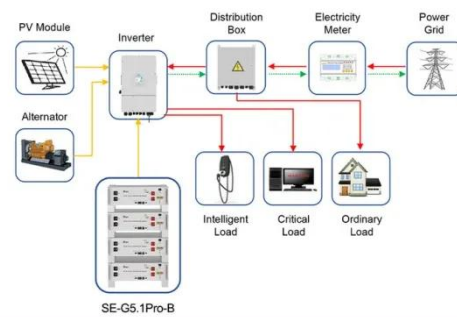
disadvantages of thin film solar panels. From efficiency and space requirements to durability and warranty concerns, you'll see why thin film isn't always the best choice for ...

[Learn More](#)

Why You Should Think Twice About Using Thin-Film Solar

Thin-film solar panels may offer a sleek design with an easier setup, but there's more to know about them, and more to consider, than just looks and labor. The negatives far outweigh the

[Learn More](#)



Application scenarios of energy storage battery products



Advantages and disadvantages of solar panel curtain wall

Compared with ordinary curtain walls, PV curtain walls can not only provide clean electricity, but also have the functions of flame retardant, heat insulation, noise reduction and light pollution reduction, making it the better ...

[Learn More](#)

Thin Film Solar Panels: Types, Advantages, Limitations & Uses

Despite having a lower production cost, the panel is often known for generating a larger carbon footprint. In addition, these

materials, especially Cadmium, have a higher toxicity factor, which makes CDTE

...

[Learn More](#)



Contact Us

For catalog requests, pricing, or partnerships, please visit:
<https://v4venison.co.za>

