

Does Rhine photovoltaics store energy



Overview

They can store energy within milliseconds and make it available again just as quickly when it is needed. As a battery storage pioneer, RWE develops, builds and operates innovative and competitive large battery storage systems as well as onshore. Now, Rhine Energy Storage (RWE) is turning these "retired" batteries into rockstars of grid stability. Imagine your old Audi e-tron battery moonlighting as a renewable energy storage unit - that's exactly what's happening in Herdecke, Germany, where RWE operates a 4. The BESS has its own dedicated inverter connected to the battery. and its battery storage technology business. A photovoltaic facility with a peak output capacity of 19.

Does Rhine photovoltaics store energy



Rhine Photovoltaic Energy Storage Components

A joint energy transition project between RWE and Audi is breaking new ground: In Herdecke, North Rhine-Westphalia, RWE has put an energy storage system consisting of used lithium-ion batteries ...

[Learn More](#)

RWE starts construction of utility-scale battery storage project in ...

A total of 110 lithium-ion battery racks will be installed at RWE's biomass plant in Eemshaven on an area of around 3,000 square metres. The storage system is planned to supply ...



51.2V 300AH

[Learn More](#)



220 MW battery storage system in Germany

RWE is currently operating battery storage projects with a capacity of around 1,200 MW worldwide, and is continuously expanding this battery storage portfolio. RWE commissioned a large-scale storage ...

[Learn More](#)

RWE builds photovoltaic plants with

battery storage in Germany

Can solar energy be used even when the sun does not shine? Yes, thanks to photovoltaic systems with attached battery storage facilities. RWE is currently constructing two plants of this type ...



[Learn More](#)



RWE builds solar PV with battery storage in North Rhine-West

RWE is currently constructing two solar photovoltaic (PV) energy storage projects at the Garzweiler Mine in North Rhine-Westphalia, Germany, near the city of Bedburg.

[Learn More](#)

Battery storage systems

They can store energy within milliseconds and make it available again just as quickly when it is needed. In this way they can balance the grid load and help in maintaining a stable grid frequency.

[Learn More](#)



RWE Builds a New Photovoltaic Plant in Germany

RWE is looking for sites across Germany to drive the expansion of renewable energy. If a site is suitable for wind or solar energy, the company will take care

of all the planning, construction ...

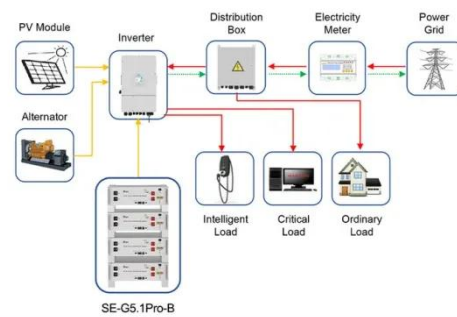
[Learn More](#)



Rhine Energy Storage & Electric Vehicle Batteries: Powering a

Now, Rhine Energy Storage (RWE) is turning these "retired" batteries into rockstars of grid stability. Imagine your old Audi e-tron battery moonlighting as a renewable energy storage unit - that's exactly ...

[Learn More](#)



Application scenarios of energy storage battery products



RWE gives green light for 220-megawatt battery storage system in ...

RWE currently operates a total installed battery storage capacity of approximately 150 MW (160 MWh) and is executing battery storage projects of more than 800 MW (1,800 MWh) worldwide. ...

[Learn More](#)

Contact Us

For catalog requests, pricing, or partnerships, please visit:
<https://v4venison.co.za>

