

Energy storage system expander



Energy storage system expander



Performance study of integrated compressor/expander based on small

In view of the problems of large volume, great number of equipment, and poor flexibility of traditional compressed air energy storage equipment, this article built a compressed air experimental bench based on ...

[Learn More](#)

How to Expand Your Energy Storage System's Capacity , Expert ...

Discover how to expand your energy storage system step-by-step. Learn what signs show you're outgrowing your setup, and how to upgrade safely for large homes.



[Learn More](#)

Design, Modeling, and Energy Analysis of a Liquid Piston Compressor

In this thesis, a novel air compressor-expander for application to a compressed air energy storage (CAES) system is designed and investigated with simulation. CAES technology can be combined with intermittent ...



[Learn More](#)

Performance study of integrated compressor/expander based on small

Compressed air energy storage is suitable for large-scale electrical energy storage, which is important for integrating renewable energy sources into electric power systems. A typical



[Learn More](#)



energy storage system compressor/expander in a compressed air

Abstract: A compressed air energy storage system that uses a high pressure, isothermal air compressor/expander (C/E) has no carbon emission and is more efficient than a conventional system that ...

[Learn More](#)

Compressed Air Energy Storage Expander: The Unsung Hero of Renewable Energy

When there's too much renewable energy (like solar or wind), we inflate the balloon by compressing air into underground salt caverns. When demand spikes, we let the air rush out through a ...



[Learn More](#)

How Can an Energy Storage System Expand Flexibly



In parallel grows capacity, making it easy to expand step by step. The smartest systems combine both, creating storage that is strong, safe, and flexible for the future.

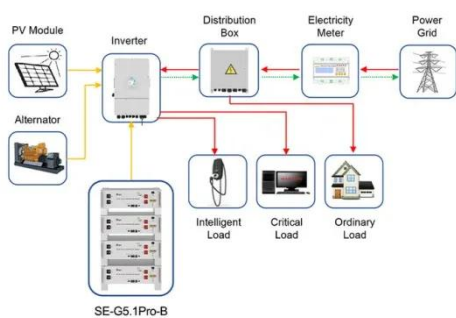
[Learn More](#)

World's First 300-MW Advanced Compressed Air Energy Storage System

Compared with the 100-MW advanced CAES system, the 300-MW system will achieve a threefold amplification in scale, a reduction of 20%-30% in unit cost and an enhancement of 3-5% in overall ...



[Learn More](#)



Application scenarios of energy storage battery products

Modelling and Simulation of Expander Performance in Compressed ...

Therefore, the development of CAES systems needs to be enhanced to become an option in the use of energy storage systems for renewable energy sources. This paper will discuss the simulation process of CAES ...

[Learn More](#)

Compressed air energy storage system with reversible ...

A system and method for compressing and expanding air in a compressed air energy storage (CAES) system is disclosed.

[Learn More](#)



Contact Us

For catalog requests, pricing, or partnerships, please visit:
<https://v4venison.co.za>

