

How to classify solar energy storage cabinets in buildings



How to classify solar energy storage cabinets in buildings



Energy Storage , Better Buildings & Better Plants Initiative

With a large battery, for example, excess electricity generated by rooftop solar can be stored for later use. By coupling on-site renewables with energy storage, organizations can use on-site electricity for more hours of ...

[Learn More](#)

Storing Residential Solar Power

With an increase in the popularity of electric vehicles and solar panels, new building code requirements for safely housing systems to store excess energy have cropped up. Codes don't cover ...

[Learn More](#)



SOLAR AND ENERGY STORAGE SYSTEM

This material is based upon the work supported by the Department of Energy and Office of Energy Efficiency and Renewable Energy (EERE), under Award Number EE0009457.

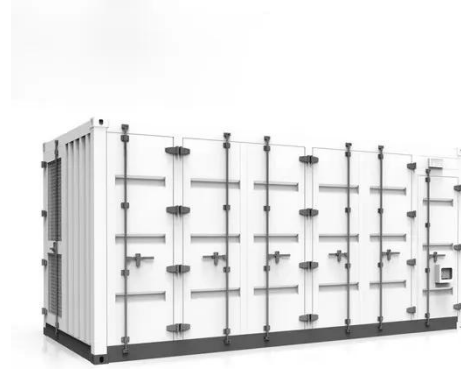
[Learn More](#)



Storing Residential Solar Power

Understanding the different types available, from basic setups to sophisticated modular energy storage, is the first step towards an efficient power solution. Before diving into specific models, it's vital to ...

[Learn More](#)



SOLAR AND ENERGY STORAGE SYSTEM

Energy storage systems installed with simple solar systems meeting SolSmart criteria that are less than 15kW consisting of no more than 2 series strings per inverter and no more than 4 source circuits in total per ...

[Learn More](#)

5.12 Energy Storage Systems in R-3 Occupancies (2025) - 5.12 ...

Scope: This bulletin applies to the installation of energy storage systems (ESS) in R-3 occupancies not exceeding the maximum energy ratings of individual ESS units and installation location(s) per 2022 CFC ...

[Learn More](#)



Solar Energy Storage Cabinet: Your Ultimate Guide to Smart Energy

Whether you're a tech-savvy homeowner or a sustainability-focused entrepreneur,



this guide will unpack everything you need to know--with a sprinkle of humor (because energy talk doesn't have to be drier ...

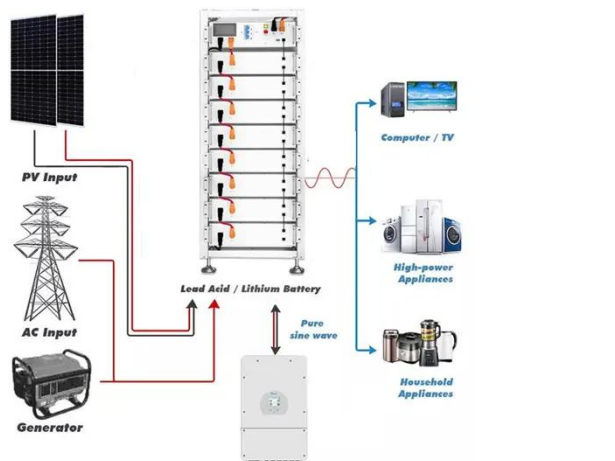
[Learn More](#)

IR N-3: Energy Code Requirements for Photovoltaic and Battery ...

This Interpretation of Regulations (IR) clarifies Photovoltaic (PV) and Battery/Energy Storage Systems (BESS) requirements of project submittals to promote uniform statewide criteria for Title 24 Part 6, Energy Code ...



[Learn More](#)



Comparing Different Types Of Solar Energy Storage Systems

Compare types of solar energy storage systems and explore the latest in solar power storage technology.

[Learn More](#)

Energy storage cabinets: Durable design excellence

Understanding the different types available, from basic setups to sophisticated modular energy storage, is

the first step towards an efficient power solution. Before diving into specific models, it's vital to accurately assess ...

[Learn More](#)



Use and classification of energy storage cabinets

The present study aims to explain energy storage systems with comprehensive classification, certain definition, different aspects such as referring to application fields, unique

[Learn More](#)

Contact Us

For catalog requests, pricing, or partnerships, please visit:
<https://v4venison.co.za>

