

Huawei peru pv energy storage project



Overview

The project, considered the world's largest solar-storage project, will install 3.5GW of solar photovoltaic capacity and a 4. HUAWEI FusionSolar advocates green power generation and reduces carbon emissions. It provides smart PV solutions for residential, commercial, industrial, utility scale, energy storage systems, and microgrids. But here's the kicker: Peru's pumped. SP New Energy Corp. The company is developing the 250 MW San Gaban battery energy storage system (BESS), which will provide essential grid stability and ensure a reliable supply of renewable energy even when the sun is not. The energy world will be centered on electricity, with green hydrogen becoming a major player by 2030. Power plants will generate electricity from renewable sources in lakes and. Energy Storage System Products List covers all Smart String ESS products, including LUNA2000, STS-6000K, JUPITER-9000K, Management System and other accessories product series.

Huawei peru pv energy storage project



Leading Solar Solutions for a Greener Future , HUAWEI Smart PV

...

HUAWEI FusionSolar advocates green power generation and reduces carbon emissions. It provides smart PV solutions for residential, commercial, industrial, utility scale, energy storage systems, and ...

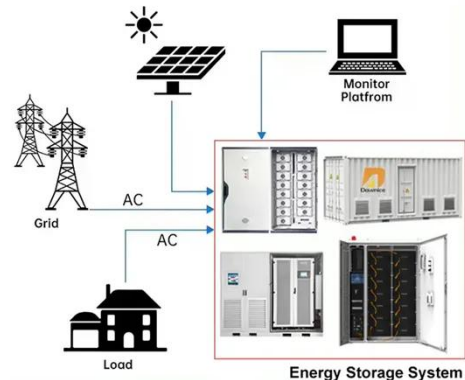
[Learn More](#)

Peru energy storage project

It said that construction had begun on the Oasis de Atacama battery storage project, which will be the "largest in the world" with 4.1GWh capacity and a further 1GW of solar PV generation.

[Learn More](#)

DISTRIBUTED PV GENERATION + ESS



Huawei Wins World's Largest Solar-Storage Project Order

The project, considered the world's largest solar-storage project, will install 3.5GW of solar photovoltaic capacity and a 4.5GWh battery storage system. The project has commenced in ...

[Learn More](#)



Peru renewable energy: Impressive 6 GW Projects by 2025

By 2025, Peru's energy landscape is set to transform with over 6 GW of new renewable energy projects. Enel, Iberdrola, and TotalEnergies -- major players in the global energy sector -- ...

[Learn More](#)



Intelligent, Green Energy for a Better Planet

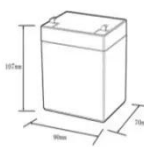

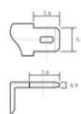
The solar PV and energy storage industries will develop rapidly, expanding from a few countries to the entire world. Power plants will generate electricity from renewable sources in lakes and near-shore ...

[Learn More](#)

Huawei Peru Energy Storage Project

The project, considered the world's largest solar-storage project, will install 3.5GW of solar photovoltaic capacity and a 4.5GWh battery storage system. The project has commenced in November 2024.

[Learn More](#)

12.8V6Ah

- Nominal voltage (V):12.8
- Nominal capacity (ah):6
- Rated energy (WH):76.8
- Maximum charging voltage (V):14.6
- Maximum charging current (a):6
- Floating charge voltage (V):13.6-13.8
- Maximum continuous discharge current (a):10
- Maximum peak discharge current @10 seconds (a):20
- Maximum load power (W):100
- Discharge cut-off voltage (V):10.8
- Charging temperature (°C):0-+50
- Discharge temperature (°C):-20-+60
- Working humidity: <95% R.H (non condensing)
- Number of cycles (25 °C, 0.5c, 100%doD): >2000
- Cell combination mode: 32700-4s1p
- Terminal specification: T2 (6.3mm)
- Protection grade: IP65
- Overall dimension (mm):90*70*107mm
- Reference weight (kg):0.7
- Certification: un38.3/msds

Business Development Manager (Solar Smart PV solutions / Energy

...

Huawei requires a Business

Highvoltage Battery



Development Manager who will be responsible for launching, developing and closing business opportunities inside Solar PV market / Power generation & distribution

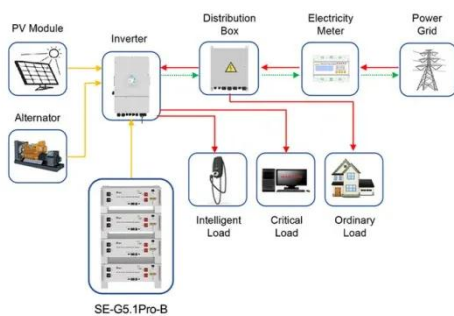
[Learn More](#)

Terra Solar taps Huawei battery storage system

Huawei's contribution to the MTerra Solar project includes the full 4,500 megawatt-hours capacity of its battery energy storage system. This agreement also marks Huawei's largest BESS ...



[Learn More](#)



Application scenarios of energy storage battery products

Energy Storage System Products List , HUAWEI Smart PV Global

Energy Storage System Products List covers all Smart String ESS products, including LUNA2000, STS-6000K, JUPITER-9000K, Management System and other accessories product series.

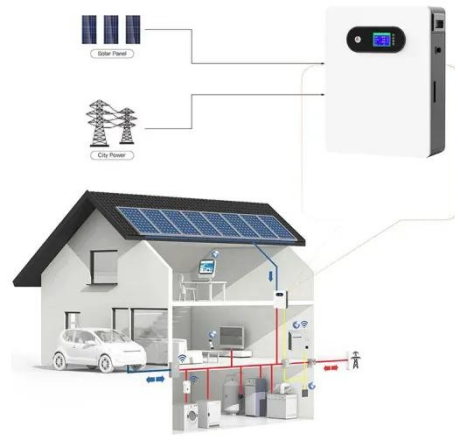
[Learn More](#)

Huawei to equip SPNEC's massive solar project

SP New Energy Corp.'s (SPNEC) efforts to build the world's largest solar farm are on full blast with Chinese tech giant Huawei ensuring the P200-billion Terra

Solar project is equipped with ...

[Learn More](#)



Contact Us

For catalog requests, pricing, or partnerships, please visit:
<https://v4venison.co.za>

