

Internal structure of the battery storage compartment



Overview

There are currently two main structures for battery compartments: containerized and commercial cabinet type. Let's take a deep dive into the heart of the battery—piece by piece, layer by layer—and discover why what's inside a battery truly matters. Why understanding the inside. This article will discuss what a battery compartment is, types, materials and designs, maintenance, safety, as well as choosing the right battery compartment. As electronic devices and electric vehicles become more prevalent, the need for a safe, efficient, and reliable battery compartment has. A detailed breakdown of EV battery construction reveals the journey from the smallest cylindrical cells to the massive structural packs that power vehicles like the Tesla Model Y and Hummer EV. This deep dive offers insight into how expert engineering choices affect performance, safety, and cost. The Tesla battery pack is a key component in powering electric vehicles and understanding its internal structure can provide insights into how these vehicles work. Unlike regular car batteries, EV batteries are designed with multiple layers— cells, modules, and packs —each playing a crucial role in storing and delivering energy.

Internal structure of the battery storage compartment



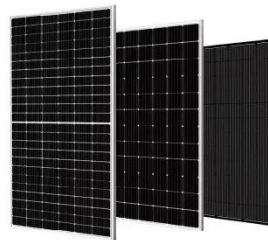
Electric Vehicle Battery Box , AEC

The battery box consists of four primary structural pieces: top cover, bottom cover, internal structure, and side impact crash protection structure. In the image below, the primary load-bearing structural components are ...

[Learn More](#)

Components Inside the Battery Module and the Battery Pack

Battery Management System (BMS): The BMS is the "brain" of the battery system. It ensures safe operating temperatures and voltages of the cells. Housing: The structural housing protects the battery from damage ...



[Learn More](#)



What's Inside a Battery? How Does It Work?

Yet, inside a battery is a complex world full of chemistry, engineering, safety systems, and even some innovation magic. Let's take a deep dive into the heart of the battery--piece by piece, layer by ...

[Learn More](#)

Breaking Down Energy Storage

Battery Architecture: From Cells ...

The cell layer is the fundamental building block of any energy storage battery system. Each cell is a self-contained unit that stores energy chemically and releases it as electricity.

[Learn More](#)



Understanding EV battery structure: What it consists of

Often considered the heart of an EV, the traction battery pack is a rechargeable energy storage system that supplies power to the electric motor. The battery consists of multiple cells, which are connected ...

[Learn More](#)

From Cells to Cases: The Anatomy of a Battery Pack

Each component within a battery pack plays a critical role in its overall performance and safety. Let's delve into the key components that make up a battery pack, including battery cells, Battery ...

[Learn More](#)

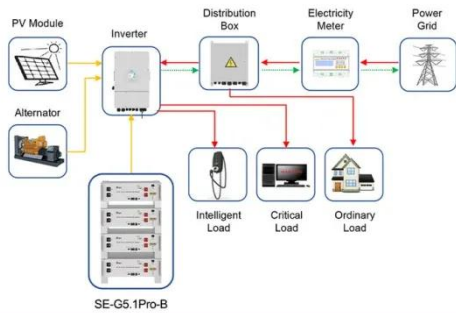


Battery Compartment Explained: 5 Common Types For Maximum ...

This article will discuss what a battery compartment is, types, materials and

designs, maintenance, safety, as well as choosing the right battery compartment.

[Learn More](#)



Application scenarios of energy storage battery products

What Is The Battery Compartment in The Energy Storage System

There are currently two main structures for battery compartments: containerized and commercial cabinet type. The most basic unit of an energy storage system is the battery cell, and multiple battery cells ...

[Learn More](#)



What Goes Inside a Tesla Battery Pack: Exploring the Diagram

Explore the diagram of a Tesla battery pack, including its components and how they work together to power a Tesla vehicle. Learn about the battery cells, modules, and cooling system that make up this advanced ...

[Learn More](#)

EV Battery Architecture Explained

A detailed breakdown of EV battery construction reveals the journey from the smallest cylindrical cells to the

massive structural packs that power vehicles like the Tesla Model Y and Hummer EV.

[Learn More](#)



Contact Us

For catalog requests, pricing, or partnerships, please visit:
<https://v4venison.co.za>

