

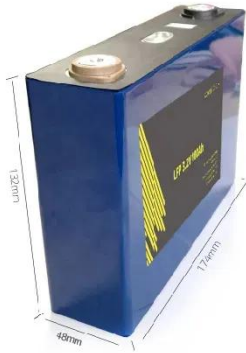
Investment in solar power generation in mountainous areas



Overview

At elevations above 1,000 meters, solar panels generate up to 15% more electricity than at sea level, capitalizing on increased solar radiation and naturally cooler temperatures that enhance photovoltaic efficiency. Moreover, investing in solar power holds the potential to mitigate environmental impacts associated with traditional energy sources. From the icy ridges of the Swiss Alps to the remote highlands of Tibet, solar technology is proving that altitude can be a strategic asset rather than an. While flatlands and urban areas have seen widespread adoption of solar systems, mountainous regions present unique opportunities and challenges for harnessing solar power. This blog explores the benefits and challenges of installing solar panels in mountainous areas, emphasizing the role of top. Harness the unique advantages of mountain solar installations to achieve energy independence while maximizing your home's natural elevation and exposure. Mountains play a key role in providing renewable energy through hydropower, solar power, wind power and biogas for downstream cities and remote mountain communities.

Investment in solar power generation in mountainous areas



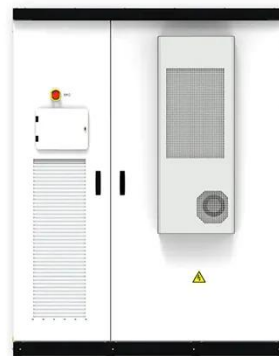
How much solar energy can be installed on a mountain?

The prospect of solar energy installations in mountain regions contributes significantly to the diversification of renewable energy sources. This transition marks a pivotal move toward creating ...

[Learn More](#)

6 Best Investments For Beginners: A Complete Guide , Bankrate

Think about how long you can do without the money you'll be investing and whether you're comfortable letting it sit for a few years or longer. Being able to keep your money invested ...



[Learn More](#)



Can Solar Power Bring Electricity to Remote Mountains? The ...

As mountain communities worldwide struggle with energy poverty, solar power generation emerges as a promising solution. But can this technology truly overcome the harsh realities of mountain terrains? ...

[Learn More](#)

How to Invest Money: Best Way to

Get Good Returns , The Motley Fool

Investing refers to the practice of allocating your money into an asset with the goal of generating a return. To name a few examples, buying stocks, investing in a rental property, and even

[Learn More](#)



Harnessing the Sun from the Peaks: Mountain Solar Panels

From remote communities in the Andes to massive solar farms in the Tibetan Plateau, real-world case studies demonstrate the practical viability and transformative power of solar ...

[Learn More](#)

DAS-Solar-News

As a leading provider of all-scenario PV system solutions, DAS Solar remains committed to technological innovation and R& D investment, tailoring high-reliability, cost-effective, and terrain ...

[Learn More](#)



Types of Investments and How They Work , Vanguard

Explore investment yields and safety and learn how investing cash can support financial growth. See how CDs work and learn about their liquidity, fees, and



potential risks. Money market ...

[Learn More](#)

Mountain Solar Panels: Power Your Home in Extreme Alpine Conditions

For homeowners in mountainous regions, solar power isn't just an environmental choice - it's a smart investment that can provide significant returns through reduced energy bills and potential ...



[Learn More](#)

SMART BMS PROTECTION



OVER-CHARGE SHORT CIRCUIT

OVER-DISCHARGE OVER-CURRENT

CELL BALANCE

12V 100Ah
LiFePO4 Battery
Lithium Iron Phosphate Deep Cycle Battery
Made in China

9 Best Investments According to Pros

The most successful investment strategies prioritize diversification, long-term planning and a commitment to steady, proven assets over speculation, according to the experts we spoke with.

[Learn More](#)

Introduction to Investing

Learn what you can do, while employed and once retired, to make the most of your investments. Many people just like you turn to the markets to help buy a

home, send children to college, or build a ...

[Learn More](#)



Renewable energy , Thematic areas , Mountain Partnership , Food ...

The Himalayas and Tropical Andes are particularly promising locations for the development of solar energy, where installations could produce approximately 20 percent more energy than they could at ...

[Learn More](#)

Mountain Solar Power: Smart Solutions for High-Altitude Energy ...

Harness the untapped Europe's solar potential in mountainous regions through innovative solar installations that defy altitude challenges.

[Learn More](#)



Investment Calculator , Edward Jones

Understand the potential for growth. Visualize the power of long-term saving and investing by using Edward Jones'

12.8V 100Ah



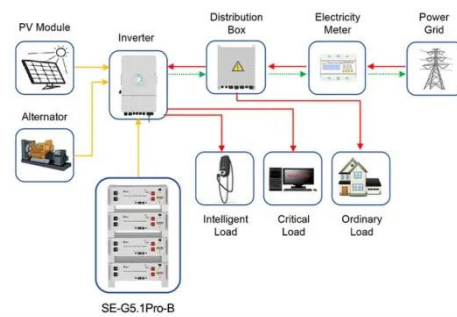
investment calculator.

[Learn More](#)

Integrating remote sensing, GIS, and multi-criteria decision making for

This study aims to propose a comprehensive framework that combines climatic, geographic, policy, and social factors to evaluate the potential of PV power generation in ...

[Learn More](#)



Application scenarios of energy storage battery products



How to subsidize mountain solar power generation , NenPower

The journey toward subsidizing solar power generation in mountains presents a unique intersection of environmental sustainability and economic opportunity.

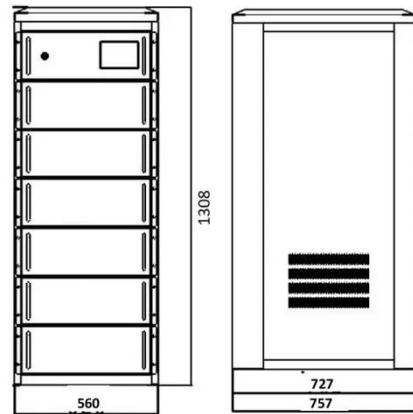
[Learn More](#)

11 Different Types of Investments and How They Work

Investing can be intimidating; with so many options available, from stocks and bonds to annuities and mutual funds,

which ones are right for your investment portfolio? First, familiarize ...

[Learn More](#)



What is an investment and how can you buy one? , Fidelity

An investment is something you buy in hopes it generates income or grows in value over time. Common financial investments include stocks, bonds, exchange-traded funds (ETFs), and ...

[Learn More](#)

Investment: How and Where to Invest

An investment involves using capital in the present to increase an asset's value over time. Investments may include bonds, stocks, real estate, or alternative investments.

[Learn More](#)



Solar Panels in Mountain Regions

This blog explores the benefits and challenges of installing solar panels in mountainous areas, emphasizing the role of top solar companies and the best solar panels available today.

[Learn More](#)

Investing

Real-time quotes, charts, news & tools from Investing . Get AI analysis & premium data with InvestingPro to uncover strategic market opportunities.

[Learn More](#)

Contact Us

For catalog requests, pricing, or partnerships, please visit:
<https://v4venison.co.za>

