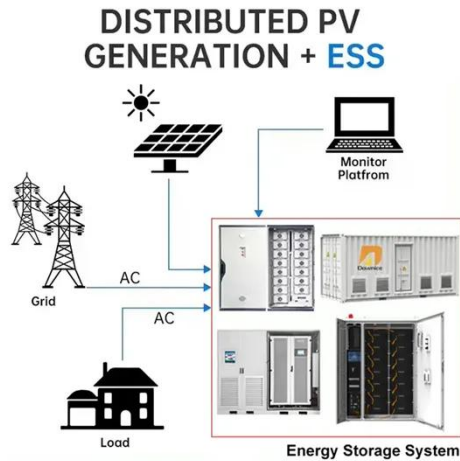


Luxembourg Off-Grid Solar Outdoor Cabinet Type



Luxembourg Off-Grid Solar Outdoor Cabinet Type



Outdoor Cabinet Energy Storage System (Air-Cooled) - Modular ...

Available in both 100kWh and 215kWh capacities, this modular system integrates power modules, batteries, cooling, fire protection, and environment monitoring in a compact outdoor cabinet.

[Learn More](#)

Luxembourg Outdoor Energy Storage Cabinets: Powering Sustainable

Luxembourg's outdoor energy storage cabinet manufacturers are leading the charge in creating modular, weather-resistant systems that integrate seamlessly with renewable energy infrastructure.

[Learn More](#)



Outdoor Cabinet Energy Storage System

Whether used as an energy storage battery cabinet, solar battery enclosure cabinets, or a battery enclosure for solar system, Huijue ensures continuous power delivery, optimal safety, and long-term ...

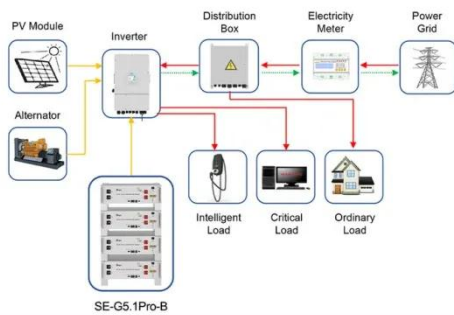
[Learn More](#)

Outdoor energy storage cabinets in Europe - Mingway Metal

Europe's shift to renewable energy makes outdoor storage cabinets indispensable. With strict standards and diverse needs, the market favors reliable, innovative solutions--an area where ...



[Learn More](#)



Application scenarios of energy storage battery products

Outdoor cabinets as energy storage enclosure

Our outdoor cabinets with lock/hinged doors are suitable for housing multiple battery racks. The interior is air-conditioned by a cooling unit that is mounted on the side wall or door leaf.

[Learn More](#)

RANKING OF OUTDOOR ENERGY STORAGE CABINET ...

This guide provides step-by-step instructions on how to install your R-BOX-OC outdoor solar battery cabinet, including site selection, assembly, wiring, and system testing. [pdf]



[Learn More](#)

Outdoor Cabinet Energy Storage System

With the patented technology of virtual synchronous machine features, it can realize the function of multiple remote

free parallels without communication lines and off-grid switching;

[Learn More](#)

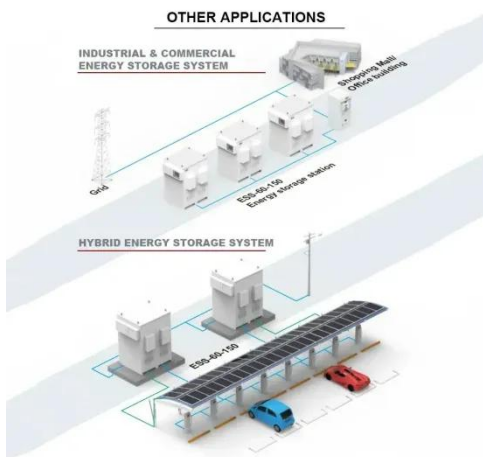


100 kWh-500kWh Outdoor All-in-one Energy Storage Cabinet

This integrated solar battery storage cabinet is engineered for robust performance, with system configurations readily scalable to meet demands such as a 100kwh battery storage requirement.



[Learn More](#)



LUXEMBOURG CITY OUTDOOR ENERGY STORAGE CABINET

A medieval castle in Luxembourg City, lit entirely by solar panels and powered by a battery smaller than your coffee table. While we're not quite there yet, Luxembourg's energy storage scene is making ...

[Learn More](#)

Outdoor Photovoltaic Energy Cabinet

It is built specifically for outdoor installation and integrates advanced

LiFePO4 battery technology, a high-level battery management system, and secure weatherproof housing, making it ideal for

...

[Learn More](#)



Contact Us

For catalog requests, pricing, or partnerships, please visit:
<https://v4venison.co.za>

