

Mobile Sucre energy storage container for islands



Overview

Recently, SCU and European customers jointly designed a solar battery energy storage system container solution, The container is a vehicle-mounted design, which can be used in remote areas without electricity or construction sites with temporary electricity. Recently, SCU and European customers jointly designed a solar battery energy storage system container solution, The container is a vehicle-mounted design, which can be used in remote areas without electricity or construction sites with temporary electricity. For islands and remote communities, access to energy is more than a convenience—it's a necessity. GSL ENERGY provides comprehensive off-grid and hybrid power solutions that integrate solar generation, lithium battery storage, and intelligent energy management to deliver clean, uninterrupted power. Major projects now deploy clusters of 20+ containers creating storage farms with 100+MWh capacity at costs below \$280/kWh. Technological advancements are dramatically improving solar storage container performance while reducing costs. Where is harvested energy stored?

Harvested energy is stored in Lithium LiFePO4 battery banks with it's own programmed BMS (Battery Management System). Where can a portable power container be used?

The MOBIPOWER portable power container can be used virtually anywhere on the planet and will produce. SCU uses standard battery modules, PCS modules, BMS, EMS, and other systems to form standard containers to build large-scale grid-side energy storage projects. 5GW of solar photovoltaic capacity and a 4. The project has commenced in November 2024.

Mobile Sucre energy storage container for islands



SUCRE CONTAINER ENERGY STORAGE IS AFFORDABLE

A mobile solar container is a factory-built, transportable unit that integrates solar panels, battery storage, and power controls--providing plug-and-play, rapid-deploy clean electricity for remote sites, events, ...

[Learn More](#)

Where to buy a 600kW mobile energy storage container in ...

The Cook Islands in the Pacific will host a 5.6MWh lithium-ion battery energy storage system for the integration of renewables, in a project funded by the Asian Development Bank, European



[Learn More](#)



SUCRE ENERGY STORAGE CONTAINER SPECIFICATIONS

What is HJ mobile solar container?The HJ Mobile Solar Container comprises a wide range of portable containerized solar power systems with highly efficient folding solar modules, advanced lithium ...

[Learn More](#)

Large-capacity mobile energy

storage container for Sucre campsite

High-efficiency Mobile Solar PV Container with foldable solar panels, advanced lithium battery storage (100-500kWh) and smart energy management. Ideal for remote areas, emergency rescue and ...

[Learn More](#)



Mobile solar energy storage system

In order to solve the electricity demand in islands far away from the mainland, remote areas, construction sites or other facilities that require temporary power solutions, The mobile ...

[Learn More](#)

SUCRE ENERGY STORAGE CONTAINER SPECIFICATIONS

Madagascar's newest solar farm near Antananarivo uses 12 interconnected containers to store 8 MWh daily - enough to power 1,200 homes during blackouts. The secret sauce? Containerized systems ...

[Learn More](#)



Island Energy Storage Solutions , Off-grid Solar Battery Systems for

Designed for island schools, rural clinics, remote offices, and telecom towers, GSL ENERGY's all-in-one off-grid energy



storage system combines a lithium battery bank, hybrid inverter, and smart BMS into ...

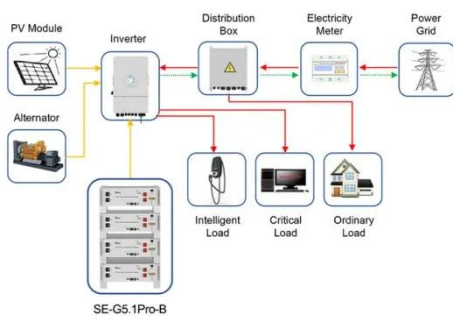
[Learn More](#)

Sucre energy storage container specifications

The Battery Energy Storage System (BESS) container design sequence is a series of steps that outline the design and development of a containerized energy storage system.



[Learn More](#)



Application scenarios of energy storage battery products

Mobile Solar Container Systems , Foldable PV Panels , LZY Container

This is the product of combining collapsible solar panels with a reinforced shipping container to provide a mobile solar power system for off-grid or remote locations.

[Learn More](#)

Mobile Solar Containers , SolaraBox Portable & Rapid-Deploy ...

Whether you need a compact 100 kWh container or a massive 5 MWh containerized battery, our systems are custom-built to your exact requirements.

Scale your storage seamlessly with our

...

[Learn More](#)



Contact Us

For catalog requests, pricing, or partnerships, please visit:
<https://v4venison.co.za>

