

Power plant energy storage retrofit price



Power plant energy storage retrofit price



Retrofitting solar power plants with energy storage

It's been suggested that it's going to be challenging to retrofit existing solar power plants with energy storage for a few reasons, however, there are a few companies that think long and far enough - as ...

[Learn More](#)

EPRI National Cost Estimate for Retrofit of U.S. Power Plants with

EPRI's retrofit cost study indicates that the potential cost of closed-cycle cooling retrofits, based on capital costs and costs associated with lost revenue from outage time to install the towers and ...



[Learn More](#)

114KWh ESS



ISO 9001 ISO 14001 PICC RoHS CE MSDS UN38.3 UK CA IEC

How is the price of power plant energy storage calculated?

The comprehensive assessment of energy storage pricing models reveals a multifaceted interplay of various elements that determine the overall cost structure of power plant energy storage ...

[Learn More](#)

Energy Storage Cabin Quotation:

Your Ultimate Guide to Costs

California's new VPP program connects 5,000+ storage cabins to act as a 3GW "phantom power plant" - enough to replace two natural gas facilities. Participants earn \$1.2k/year per ...

[Learn More](#)



Design solar for storage now, or retrofit at a premium later

Their analysis shows that, beginning in 2027, storage pricing is expected to reach a point where most solar plants will benefit financially from battery additions. The results suggest that

[Learn More](#)

Retrofits , Power generation , MAN PrimeServ

More yield from the same source energy equals greater cost efficiency and an improved overall balance sheet. At MAN PrimeServ, we focus on implementing advanced technologies in our upgrade and ...

[Learn More](#)

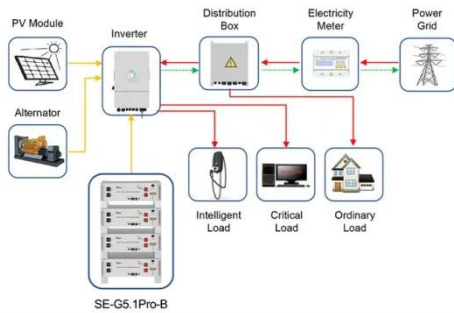


Retrofit of a coal-fired power plant with a rock bed thermal energy ...

This paper investigates the retrofit of a Chilean coal-fired power plant with an innovative solid media storage from a

techno-economic perspective.

[Learn More](#)

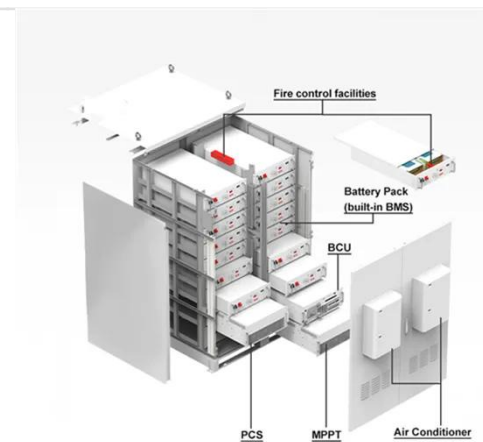


Application scenarios of energy storage battery products

Photovoltaic Power Station Energy Storage Electricity Price: Trends

Summary: This article explores the dynamics of electricity pricing in photovoltaic (PV) power stations with integrated energy storage systems. Learn how storage impacts costs, grid stability, and ...

[Learn More](#)



Solar-Plus-Storage Retrofits: A Revenue Game-Changer for Existing Plants

This article delves into the critical aspects of solar-plus-storage retrofits, exploring how they work, their economic advantages, technological innovations, and the challenges plant operators ...

[Learn More](#)

Cost Projections for Utility-Scale Battery Storage: 2025 Update

In this work we describe the development of cost and performance

projections for utility-scale lithium-ion battery systems, with a focus on 4-hour duration systems. The projections are developed from an ...

[Learn More](#)



Contact Us

For catalog requests, pricing, or partnerships, please visit:
<https://v4venison.co.za>

