

# Price of 10kW Battery Cabinet for Southeast Asian Islands



## Price of 10kW Battery Cabinet for Southeast Asian Islands

---



### 10 KWh Battery Guide 2025: Best Systems, Costs & Expert Reviews

Complete 10 kWh battery guide covering top systems, costs (\$990-\$18k), installation tips, and expert reviews. Compare Tesla, Enphase, LiFePO4 options for home backup.

[Learn More](#)

---

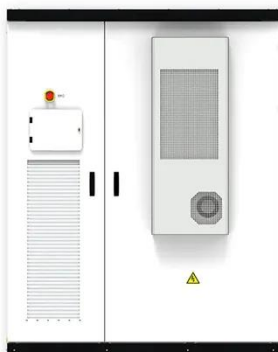
### Huawei Battery storage 10KW LUNA2000-10KW

Huawei introduces its own PV battery storage system: LUNA2000. The Huawei LUNA2000 storage system has a scalable, modular design. A system consists of a power module and one or more ...



[Learn More](#)

---



### Southeast Asia Battery Storage Market 2030: Trends, Policy, and

The race to capture Southeast Asia's battery storage market will not be won on price alone. Technology differentiation, application focus, and market positioning are emerging as critical ...

[Learn More](#)

---

### 10 kWh Solar Battery

We have solar battery packs available that provide power storage from 1kWh to more than 100 kWh. Learn the price of 10kWh backup battery power storage for the lowest cost 10kWh batteries.

[Learn More](#)



### How Much Does a 10KW Energy Storage Battery Cost? A 2024 ...

While a 10KW energy storage system represents a significant investment, its long-term savings and energy independence benefits make it worthwhile. Prices continue to decline - industry analysts ...

[Learn More](#)

### Southeast Asia Battery Energy Storage System Market Size

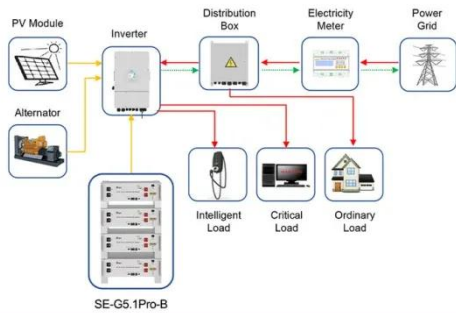
Southeast Asia Battery Energy Storage System Market Report by MarkNtel Advisors provides a detailed & thorough analysis of market size & share, growth rate, competitive landscape, and key players.

[Learn More](#)



### Energy storage systems in Southeast Asia: Four Real-World Projects ...

This article shares four field-proven



Application scenarios of energy storage battery products

configurations--from compact 5 kW setups to 10 kW off-grid cabinets--highlighting design rationale, commissioning notes, and the business impact ...

[Learn More](#)

## How to Choose the Right Energy Storage Cabinet: A Guide for ...

Southeast Asia, with its abundant sunlight, offers excellent conditions for solar power generation. This guide will help you choose the right energy storage cabinet based on your specific ...

[Learn More](#)



## IP65 Battery Cabinet

The battery storage cabinet protects from moisture and ensures that your batteries remain in top condition for years to come. In addition, it is essential to ensure your battery storage cabinet is ...

[Learn More](#)

## Enphase Encharge 10kWh Battery Storage

The Enphase Ensemble Encharge 10 battery is reliable, smart, simple, and safe. It provides the lowest lifetime energy costs with backup capability for

both new and retrofit solar customers.

[Learn More](#)



---

## Contact Us

---

For catalog requests, pricing, or partnerships, please visit:  
<https://v4venison.co.za>

