

Price of single-phase and three-phase inverters



Price of single-phase and three-phase inverters



Single Phase Solar Inverters , 120/240V Systems

Below this threshold, single-phase string inverters dominate through superior economics, simpler installation, and broader product availability. Three-phase inverters cost 30-50% more for ...

[Learn More](#)

Single to Three Phase Inverter Price List

The price list of single to three phase frequency inverter is in the table below, if you want to know more information, please visit our product's page. Note: The prices in the table are just for your ...



[Learn More](#)

The Differences between Single-phase Inverter and Three-phase Inverter

Both single-phase inverters and three-phase inverters have roles for which they are well-suited. Understanding well the differences between these two kinds of inverters is helpful for solar installers ...

[Learn More](#)



Best Solar Inverters: The Top Inverters for Your Solar Array

Shop rates as low as 12.3¢/kWh! This price was last updated on 1/02/2026 and may vary depending on the utility. Choosing the best solar inverters balances multiple factors, including price, ...

[Learn More](#)



Best Single Phase to 3 Phase Inverters for Efficient Motor Speed

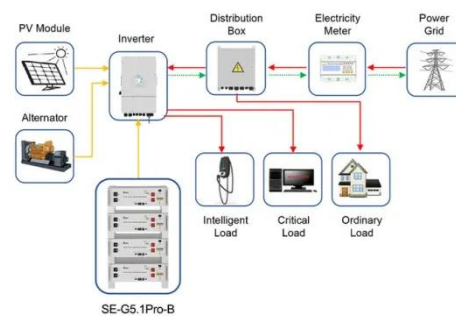
Converting single phase power to three phase allows efficient operation of industrial and CNC motors designed for three phase power. Below is a summary table of the top-rated single phase ...

[Learn More](#)

One Three-Phase Inverter or Three Single-Phase: Which is Best?

A comprehensive guide comparing the benefits and drawbacks of one three-phase inverter versus three single-phase inverters for home solar setups.

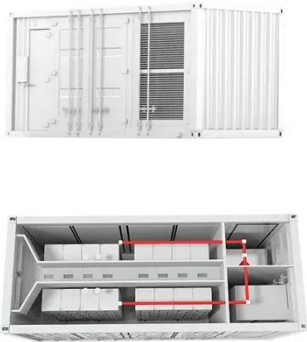
[Learn More](#)



Application scenarios of energy storage battery products

Amazon : 3 Phase Inverter

Check each product page for other buying options. Price and other details may vary based on product size and color. Need help?

[Learn More](#)

Single Phase Vs Three Phase Solar Inverter

This article provides a comprehensive overview of the differences between single-phase and three-phase solar inverters, covering all aspects of suitability, cost, efficiency and application scenarios.

[Learn More](#)

Single Phase vs Three Phase Inverters: What's the Difference and ...

Under the same brand and quality, three-phase inverters usually cost about 300-500 RMB more per unit than single-phase ones. Thus, single-phase inverters are more economical. In ...

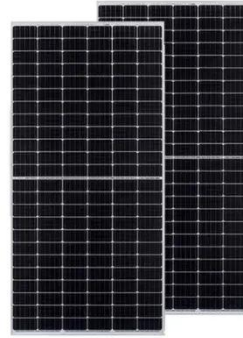
[Learn More](#)

3 Phase Inverter VS Single Phase Inverter What you Need to Know

The 3-phase inverter vs. single-phase inverter discussion in this article focuses

on what are the factors one should consider while choosing an inverter, what are the main differences b/w ...

[Learn More](#)



Contact Us

For catalog requests, pricing, or partnerships, please visit:
<https://v4venison.co.za>

