

San Jose NiCd Battery Energy Storage Container Price



Overview

The average 2024 price of a BESS 20-foot DC container in the US is expected to come down to US\$148/kWh, down from US\$180/kWh last year, a similar fall to that seen in 2023, as reported by Energy-Storage. news, when CEA launched a new quarterly BESS pricing monitor. How much do storage systems cost in California in 2026?

As of February 2026, the average storage system cost in California is \$1031/kWh. It represents lithium-ion batteries (LIBs)—primarily those with nickel manganese cobalt (NMC) and lithium iron phosphate (LFP) chemistries—only at this time, with LFP becoming the primary. DOE's Energy Storage Grand Challenge supports detailed cost and performance analysis for a variety of energy storage technologies to accelerate their development and deployment The U. The price of an energy storage container can vary significantly depending on several factors, including its capacity, technology, features, and market. Adding Containerized Battery Energy Storage System (BESS) to solar, wind, EV charger, and other renewable energy applications can reduce energy costs, minimize carbon footprint, and increase energy efficiency. Get ahead of the energy game with SCU! 50Kwh-2Mwh What is energy storage container?

SCU.

San Jose NiCd Battery Energy Storage Container Price



Battery energy storage system (BESS) container, BESS container -

Discover TLS advanced Battery Energy Storage System (BESS) containers, designed to support renewable energy integration, stabilize power grids, and reduce energy costs.

[Learn More](#)

Cost Projections for Utility-Scale Battery Storage: 2025 Update

In this work we describe the development of cost and performance projections for utility-scale lithium-ion battery systems, with a focus on 4-hour duration systems. The projections are developed from an ...



[Learn More](#)



How Much Does a Battery Storage Container Cost? A Complete ...

Whether you're planning a renewable energy project, industrial backup system, or grid stabilization solution, understanding pricing factors will help you budget effectively.

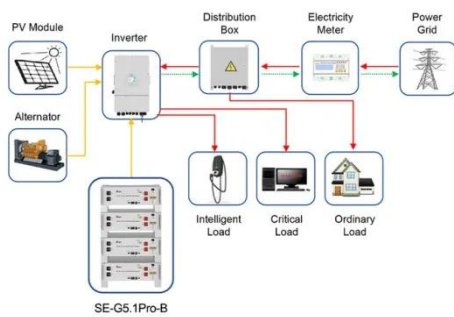
[Learn More](#)

Energy Storage Container Price:

Unraveling the Costs and Factors

The price of an energy storage container can vary significantly depending on several factors, including its capacity, technology, features, and market conditions.

[Learn More](#)



Application scenarios of energy storage battery products

2022 Grid Energy Storage Technology Cost and Performance ...

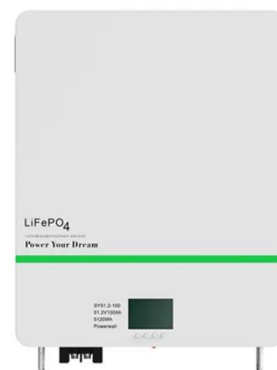
The 2022 Cost and Performance Assessment provides the levelized cost of storage (LCOS). The two metrics determine the average price that a unit of energy output would need to be sold at to cover all ...

[Learn More](#)

Energy Storage Cost and Performance Database

Additional storage technologies will be added as representative cost and performance metrics are verified. The interactive figure below presents results on the total installed ESS cost ranges by ...

[Learn More](#)



BESS prices in US market to fall a further 18% in 2024, ...

The cost of containerised battery storage

for US buyers will come down a further 18% in 2024, Clean Energy Associates (CEA) said.

[Learn More](#)



Utility-Scale Battery Storage , Electricity , 2024 , ATB , NLR

Battery cost and performance projections in the 2024 ATB are based on a literature review of 16 sources published in 2022 and 2023, as described by Cole and Karmakar (Cole and Karmakar, 2023). Three ...

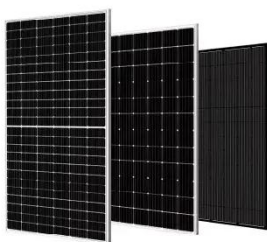


[Learn More](#)

Energy storage container, BESS container

Adding Containerized Battery Energy Storage System (BESS) to solar, wind, EV charger, and other renewable energy applications can reduce energy costs, minimize carbon footprint, and increase ...

[Learn More](#)



2026 Cost of Energy Storage in California , EnergySage

There are several variables that impact the price you pay for a solar + storage

system: the quality of the equipment you install, the type of inverters you choose, and the storage capacity ...

[Learn More](#)



Contact Us

For catalog requests, pricing, or partnerships, please visit:
<https://v4venison.co.za>

