

Solar energy storage cabinet system power supply



Solar energy storage cabinet system power supply



Energy Storage ESS Cabinet with 50kW Lithium Battery , Anern

With a capacity of 114KWH and a power output of 50KW, it ensures a stable energy supply, peak shaving, and load-shifting capabilities. The 114KWH ESS energy storage cabinet is the perfect ...

[Learn More](#)

Solar Modules + Energy Storage: Power Supply Assurance for Off ...

Solar modules combined with energy storage provide reliable, clean power for off-grid telecom cabinets, reducing outages and operational costs. Choosing the right solar module type and ...



[Learn More](#)



SNADI Integrated PV Energy Storage Cabinet

Dual fire suppression, ATS/STS ensure seamless power switching. Integrated BMS/PCS/EMS supports diverse applications. DC coupling, full fault protection, low battery cycling, auto current sharing, and ...

[Learn More](#)

Solar Battery Storage Cabinet

The LZY solar battery storage cabinet is a tailor-made energy storage device for storing electricity generated through solar systems. They assure perfect energy management to continue power ...

[Learn More](#)



 **LFP 12V 200Ah**



Solar Energy Storage Cabinet

Our company has the design and production capacity of UPS power supply, PCS power supply, off-grid photovoltaic inverter, and off-grid photovoltaic inverter. Possesses integration capabilities for various ...

[Learn More](#)

Standing Cabinet Solar energy storage Battery Archives

Solar battery cabinets effectively enable homeowners and businesses to maximize their use of solar energy and reduce their reliance on the grid. These cabinets are equipped with advanced charge ...

[Learn More](#)

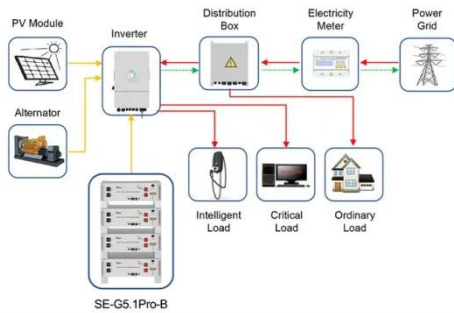


Home Solar Energy Storage Cabinet-Style Systems

Maximize solar energy usage, reduce energy bills, and ensure reliable backup power. Discover advanced inverters,

customizable battery capacities, and remote monitoring options with HighJoule.

[Learn More](#)



Application scenarios of energy storage battery products

Energy Storage for Cabinets & Solar Systems

A combined solution of solar systems and lithium battery energy storage can provide reliable power support for communication equipment, especially in areas without grid coverage or where power ...

[Learn More](#)



Integrated Energy Storage Cabinet

The design of Sandpoint outdoor integrated cabinet energy storage system has independent self-power supply system, temperature control system, fire detection system, fire protection system, emergency ...

[Learn More](#)

SNADI Integrated PV Energy Storage Cabinet

Dual fire suppression, ATS/STS ensure seamless power switching. Integrated ...

[Learn More](#)



Step-by-Step Solar Battery Cabinet Installation Guide

Follow this detailed guide for a smooth installation of your solar battery cabinet and maximize renewable energy use

[Learn More](#)

Contact Us

For catalog requests, pricing, or partnerships, please visit:
<https://v4venison.co.za>

