

# Solar light-sensing charging photovoltaic energy storage cabinet



## Overview

---

This article explores how photovoltaic storage cabinets optimize energy management, reduce grid dependency, and support 24/7 EV charging operations. 9 kWh battery, V2G-ready control, and smart O&M—engineered for uptime and ROI As EV sites scale, the limits of the grid show up first: high demand charges, transformer bottlenecks, and costly upgrades. Pilot's PL-EL Series solves that problem at the. Solar-powered energy storage systems are transforming electric vehicle charging infrastructure. Dual fire suppression, ATS/STS ensure seamless power switching. Integrated BMS/PCS/EMS supports diverse applications. The system offers flexible configuration, compatibility with most EV brands, and is suitable for various industrial and commercial applications such as. The BSLBATT PowerNest LV35 hybrid solar energy system is a versatile solution tailored for diverse energy storage applications. Equipped with a robust 15kW hybrid inverter and 35kWh rack-mounted lithium-ion batteries, the system is seamlessly housed in an IP55-rated cabinet for enhanced protection.

## Solar light-sensing charging photovoltaic energy storage cabinet

---



### Solar Battery Storage Cabinet

The LZY solar battery storage cabinet is a tailor-made energy storage device for storing electricity generated through solar systems. They assure perfect energy management to continue power

...

[Learn More](#)

### SNADI Integrated PV Energy Storage Cabinet

Dual fire suppression, ATS/STS ensure seamless power switching. Integrated BMS/PCS/EMS supports diverse applications. DC coupling, full fault protection, low battery cycling, auto current sharing, and ...

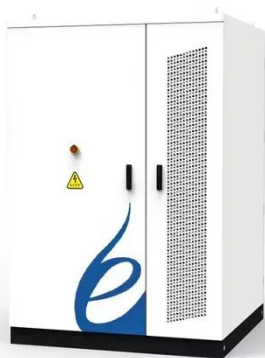


[Learn More](#)

### All in one C& I Energy Storage Cabinet

JNTech all-in-one solar storage system integrates an inverter and energy storage cabinet into a single unit, providing a compact and efficient solution for solar and microgrid systems.

[Learn More](#)



### Pilot PL-EL Series Integrated PV-

## Storage-Charging System

Pilot's PL-EL Series solves that problem at the cabinet--combining a high-efficiency energy storage system (?208.9 kWh) with a DC fast charger up to 120 kW output and optional AC 60 ...

[Learn More](#)



## Photovoltaic Energy Storage Cabinet for Car Charging Station: The

Solar-powered energy storage systems are transforming electric vehicle charging infrastructure. This article explores how photovoltaic storage cabinets optimize energy management, reduce grid ...

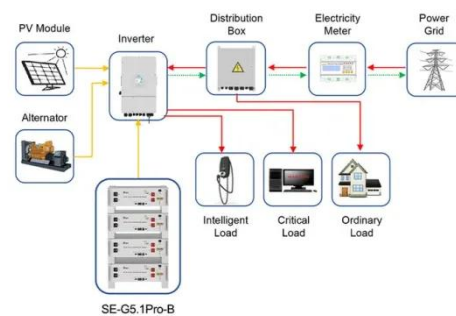
[Learn More](#)

## 100kWh Solar 280Ah LiFePO4 Battery, Air-cooling Energy Storage

...

The system offers flexible configuration, compatibility with most EV brands, and is suitable for various industrial and commercial applications such as microgrids and solar storage.

[Learn More](#)



Application scenarios of energy storage battery products

## iCabinet - Integrated Energy Storage and Fast EV Charging with

...



Experience convenience, elegance, and superior performance with our Energy Storage Mobile Charging solution. With 110 Kwh of power storage, it's ready to meet a variety of emergency charging needs. It ...

[Learn More](#)

## SNADI Integrated PV Energy Storage Cabinet

Dual fire suppression, ATS/STS ensure seamless power switching. Integrated ...

[Learn More](#)



LiFePO<sub>4</sub> Battery, safety

Wide temperature: -20~55°C

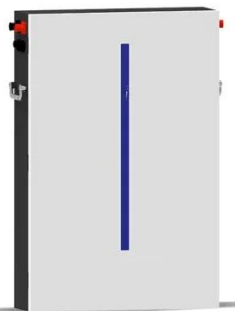
Modular design, easy to expand

Wall-Mounted&Floor-Mounted

Intelligent BMS

Cycle Life: > 6000

Warranty: 10 years



## Photovoltaic Energy Storage System Cabinet: Your Ultimate Guide to

Enter the photovoltaic energy storage system cabinet - the unsung hero of solar power setups. This article is your backstage pass to understanding why these metal boxes are rewriting the ...

[Learn More](#)

## Integrated Light Storage and Charging: A New Breakthrough in ...

The integrated light storage charging station can significantly improve energy conversion efficiency by leveraging low valley electricity prices at night. During

peak charging periods, it supplies ...

[Learn More](#)



## 15kW / 35kWh Hybrid Solar System Integrated Energy Storage Cabinet

Equipped with a robust 15kW hybrid inverter and 35kWh rack-mounted lithium-ion batteries, the system is seamlessly housed in an IP55-rated cabinet for enhanced protection against water and dust, ...

[Learn More](#)

## Contact Us

For catalog requests, pricing, or partnerships, please visit:  
<https://v4venison.co.za>

