

# Suriname environmentally friendly inverter custom price



IP65/IP55 OUTDOOR CABINET

OUTDOOR TELECOM CABINET

OUTDOOR ENERGY STORAGE CABINET

19 INCH



## Overview

---

Get your personalized quote within 3-5 days after submitting this form. Prefer direct contact?

Call us at: (597) 408311 Get a tailored estimate for your solar or wind system - built to fit your needs and location in Suriname. The setup included: Why Choose EK SOLAR for Your Project?

With 12 years of experience in Caribbean energy markets, EK SOLAR provides: "Our partnership with EK SOLAR ensured seamless integration of solar. This article discusses the top 5 inverter manufacturers in Suriname and the top brands that supply their products to Suriname. Last Updated on by Jim Suriname is known as a country with many renewable energy sources such as hydropower, solar, and wind. Our systems help reduce costs while promoting energy independence. ensures every installation is optimized for long-term performance, safety, and sustainability. Smart use of sunlight and wind to. When are solar module and inverter prices updated?

Solar Module Retailer Prices are updated on Monday. What is a cess HY series inverter?

The CESS-HY series is a three-phase energy storage inverter custom-developed for commercial and. SolarEdge, Tigo, Enphase, Hoymiles, and Schneider Electric offer the best solar inverters. FREE SHIPPING (some products excluded). AIMS Power inverters are available up to 12000 watts throughout Suriname in 12, 24 & 48 volt models.

## Suriname environmentally friendly inverter custom price

---



### Suriname High Quality Power Inverter Price: Expert Insights & Market

Navigating Suriname's power inverter market requires balancing quality, capacity, and local support. While prices range from \$200 to \$3,000+, investing in reliable technology with proper certifications ...

[Learn More](#)

---

### TOP SOLAR INVERTER SUPPLIERS IN SURINAME

Buy top quality 50kw solar inverters products online from Chinese 50kw solar inverters wholesalers, suppliers, distributors, dealers & dropshippers at most competitive price. [pdf]

[Learn More](#)

---



### Paramaribo, Suriname

Discover HSW Energy's Samlex 4000W Inverter, showcased for educational purposes. Learn how this efficient, safe, and durable inverter powers solar energy systems.

[Learn More](#)

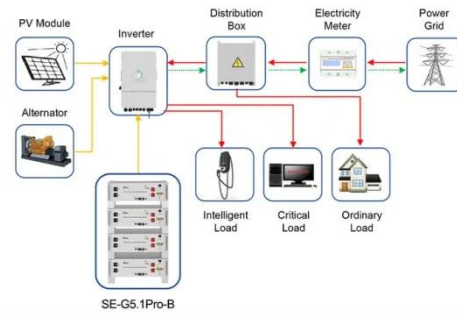
---



## SURINAME POWER INVERTERS AND SOLAR PANELS

Current market rates for complete solar-plus-storage installations in Suriname range from \$1.20/W to \$2.80/W, depending on scale and technology. But wait, no - that's just the hardware!

[Learn More](#)



Application scenarios of energy storage battery products



## SURINAME POWER INVERTERS AND SOLAR PANELS

AIMS Power inverters are available up to 12000 watts throughout Suriname in 12, 24 & 48 volt models for off-grid, mobile & emergency backup power applications. FREE SHIPPING (some products ...

[Learn More](#)

## Top 5 Inverter Manufacturers In Suriname

This article discusses the top 5 inverter manufacturers in Suriname and the top brands that supply their products to Suriname.

[Learn More](#)



## TOP 5 INVERTER MANUFACTURERS IN SURINAME

TOP 5 INVERTER MANUFACTURERS IN SURINAME. Our certified energy specialists provide round-the-clock monitoring and support for all installed



home energy storage systems.

[Learn More](#)

## Allround Green Industrial Detachment Agency N.V.

Get a tailored estimate for your solar or wind system - built to fit your needs and location in Suriname. Agida N.V. - Your partner in renewable energy for Suriname. We offer solar panels, wind turbines, ...



[Learn More](#)



## Suriname Inverter Market (2024-2030) , Trends, Outlook & Forecast

Historical Data and Forecast of Suriname Inverter Market Revenues & Volume By Automotive for the Period 2020-2030  
Suriname Inverter Import Export Trade Statistics

[Learn More](#)

## Suriname Inverter Price: A Comprehensive Guide for Buyers in 2024

Looking for reliable power solutions?

Discover how inverter pricing works in Suriname and find the best deals for residential, commercial, or industrial needs.

[Learn More](#)



---

## Contact Us

For catalog requests, pricing, or partnerships, please visit:  
<https://v4venison.co.za>

