

What glue should be used for the gaps in photovoltaic panels



51.2V
200Ah/300Ah
LiFePO4 battery



Overview

Silicone sealants are commonly used for solar panel sealing due to their moisture resistance, adhesion, flexibility, and UV resistance properties. To swiftly address gaps in solar panels, follow these essential steps: 1) Identify the type of gap and its location, 2) Choose an appropriate adhesive suitable for outdoor use, 3) Clean the surfaces thoroughly for optimal adhesion, 4) Apply the adhesive correctly, ensuring a uniform layer, 5) Allow. After testing dozens of options, I found that the right adhesive isn't just about sticking; it's about durability, waterproofing, and ease of removal when needed. Every panel needs secure adhesion to withstand weather, vibrations, and even heavy snow loads. I've learned that most adhesives fail on. Among the various options available, silicone adhesives and sealants have emerged, offering numerous benefits. These materials are used to bond and. – Best glue for bonding solar panels Weldbond All Purpose Glue, Bonds Most Anything! Non-Toxic Weldbond All Purpose Glue, Bonds Most Anything! Non-Toxic I've been curious about Weldbond All Purpose Glue for a while, especially since it claims to bond most things—including tricky surfaces like glass. Proper sealing of solar panels is crucial for protecting them against moisture infiltration, enhancing electrical safety, and ensuring long-term reliability. The importance of sealing gaps in solar panel installations: Waterproofing: Seals channel water out of vulnerable areas, preventing.

What glue should be used for the gaps in photovoltaic panels



 LFP 280Ah C&I

Sealing Solar Panels

To seal the gaps between solar panels, a suitable sealant, such as silicone sealant, can be applied along the edges and joints of the panels. It is important to ensure a complete and consistent sealant ...

[Learn More](#)

Best Adhesive For Solar Panel [Updated: February 2026]

Sealants fill gaps and seams between the solar panel components, creating a watertight seal. This barrier prevents water from reaching sensitive electrical connections, thus avoiding short ...



[Learn More](#)



Can foam glue be used to fill the gaps between photovoltaic panels

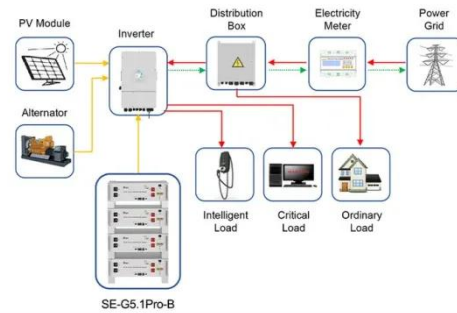
An Austrian-Belgian research group has developed a flowable silicone sealant that can be used to create an insulating and protective layer on damaged solar module backsheets.

[Learn More](#)

How to quickly glue the gaps in solar panels , NenPower

The cure time for adhesive used in solar panel repairs varies widely depending on the type of adhesive chosen and environmental conditions. Silicone sealants may require anywhere from ...

[Learn More](#)



Application scenarios of energy storage battery products



The Power of Silicone Adhesives and Sealants in Solar Panel ...

Solar panels are subject to various stresses, including thermal expansion and contraction due to temperature fluctuations. Silicone adhesives and sealants offer superior flexibility, allowing ...

[Learn More](#)

Best Adhesive Solutions for Solar Panels and Flexible Installations

For flexible panels, consider a combination of butyl tape bonding and appropriate sealants to preserve flexibility while ensuring waterproof integrity. For rigid or high-load installations, ...

[Learn More](#)



Essential Guide to Applying Adhesive on Photovoltaic Panels: Avoid

Whether you're a technician or a DIY

enthusiast, mastering glue application on flat solar surfaces isn't just about sticking components--it's about ensuring 25+ years of peak energy output.

[Learn More](#)



Best Glue To Use On Solar Panel [Updated: February 2026]

According to the U.S. Department of Energy, neutral cure options are often preferred for solar panel applications to prevent damage to the panels during installation and over time.

[Learn More](#)



What glue should be used to glue solar panels together?

Butyl tape is often employed in solar panel installations due to its easy application and effectiveness in creating watertight seals. This adhesive tape is rubber-based, providing excellent ...

[Learn More](#)

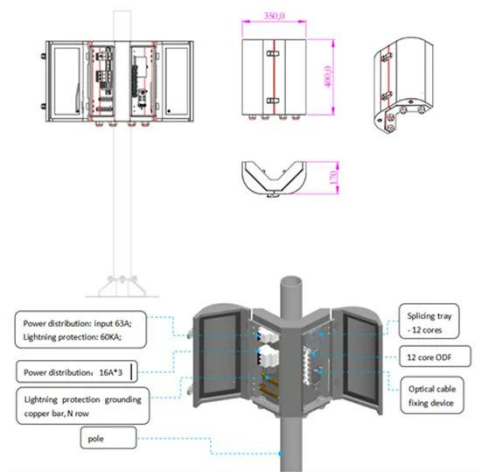


How Do You Seal the Gap Between Solar Panels?

UV-resistant silicone sealants: These sealants are used to fill gaps and form a waterproof barrier, making them versatile and compatible with a wide

range of panel types.

[Learn More](#)



Contact Us

For catalog requests, pricing, or partnerships, please visit:
<https://v4venison.co.za>

